

JULIA

Julia Thermostatic Control Valve Trim with Metal Lever Handle

JUTH60



SHOWN IN JULIA THERMOSTATIC CONTROL VALVE TRIM WITH METAL LEVER HANDLE| JUTH60

TECHNICAL DETAILS

ADA Compliance: Yes
 Control Valve Rough-in Depth Maximum: 216 mm
 Control Valve Rough-in Depth Minimum: 51 mm
 Diverter Valve Rough-in Depth Maximum: 67 mm
 Diverter Valve Rough-in Depth Minimum: 57 mm
 Escutcheon Primary Material: Brass
 Index Color / Finish and Material: Architectural Bronze
 Depth / Width: 98 mm
 Height: 165 mm
 Index Marking: Blank
 Integrated Diverter: N
 Length: 152 mm
 Number of Handles: One
 Primary Material: Brass
 Suggested Application: Bath

INSPIRATION

An interpretation of 1920s French country, Julia speaks to decoration and intricate design displayed through beautifully composed turnings. These details embody the robust, signature high profile spout enabling Julia to transition fluidly from informal to formal environments.

CODES & STANDARDS

Code # JUSV60: ASME A112.18.1 / CSA B125.1, IAPMO, State of MA

PRODUCT FEATURES

Metal lever handle with metal index
 Allows bather to adjust temperature of all waterway outlets with a hot limit safety stop providing anti-scald protection
 Stocked in Chrome, Nickel, Matte Nickel, and Unlacquered Brass
 Requires rough valve, sold separately: GUTH37 (US) / GU37TH (UK)

CERTIFICATIONS



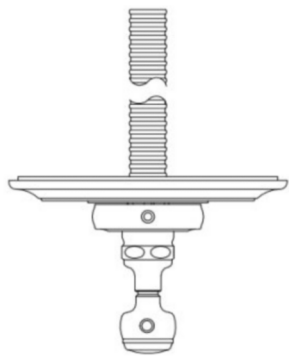
PRODUCT (NOTES)

Required valve GUSV37 sold separately than trim.

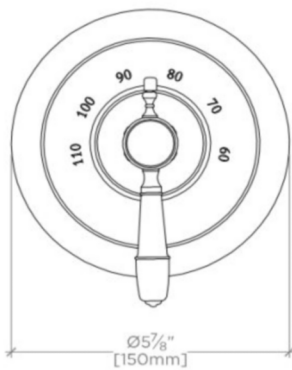
JULIA

JUTH60

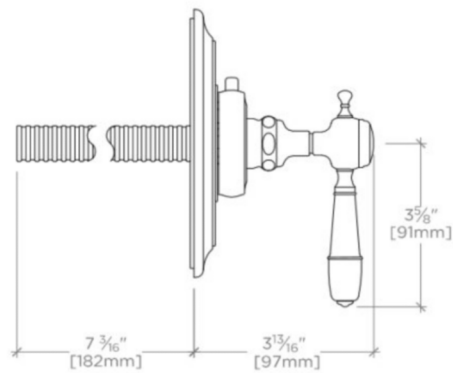
Julia Thermostatic Control Valve Trim with Metal Lever Handle



TOP VIEW SCALE: 3"=1'-0"



FRONT VIEW SCALE: 3"=1'-0"



SIDE VIEW SCALE: 3"=1'-0"