

## JULIA

JULS01

Julia Deck Mounted Marquee Lavatory Faucet with Metal Cross Handles

### TECHNICAL DETAILS

Restricted Maximum Flow Rate: 4.5 liters/min



SHOWN IN JULIA DECK MOUNTED MARQUEE LAVATORY FAUCET WITH METAL CROSS HANDLES| JULS01

### INSPIRATION

An interpretation of 1920s French country, Julia speaks to decoration and intricate design displayed through beautifully composed turnings. These details embody the robust, signature high profile spout enabling Julia to transition fluidly from informal to formal environments.

### PRODUCT FEATURES

Brass material is used for all trim and valve component parts.

The five spoke cross handle is reminiscent of rudder rods from old sailing ships.

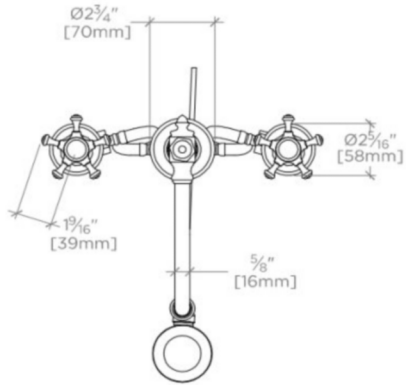
Available in 1.2gpm (4.5L/min) flow rate

# WATERWORKS

## JULIA

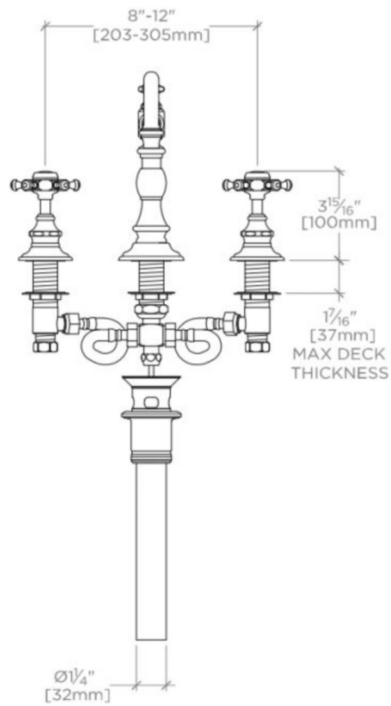
JULS01

Julia Deck Mounted Marquee Lavatory Faucet with Metal Cross Handles



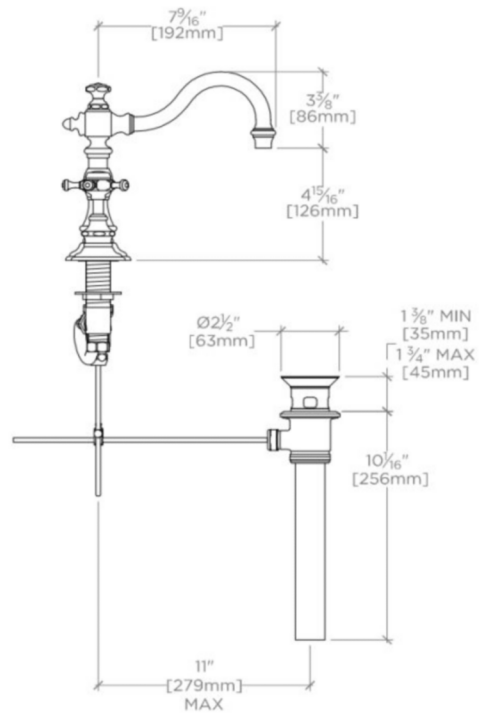
TOP VIEW

SCALE: 1 1/2"=1'-0"



FRONT VIEW

SCALE: 1 1/2"=1'-0"



SIDE VIEW

SCALE: 1 1/2"=1'-0"