

## DURHAM

## DUBT6L

Durham II 60" x 32" x 18" Apron Acrylic Bathtub with Left Hand Drain



### TECHNICAL DETAILS

ADA Compliance: When installed per ADA guidelines  
Depth to Overflow: 11 9/16"  
Drain Hole Depth: 1/2"  
Drain Hole Diameter: 2"  
Drilling Option: None  
Flange Availability: Integrated  
Depth / Width: 32"  
Installation Type: Apron  
Length: 60"  
Overflow Hole Diameter: 2 3/8"  
Overflow Opening: Yes  
Primary Material: Acrylic  
Single or Double Ended: Single Ended  
Suggested Application: Bath

### INSPIRATION

Our apron front Durham tubs will fit any aesthetic in your bathroom.

### PRODUCT FEATURES

The bathtub is built of reinforced acrylic with an apron front.  
Tub includes an integrated molded tile flange.  
Available in Left Hand and Right Hand drain configurations.  
Water volume of 62 gallons.  
Uses the Universal Pop-Up Waste and Overflow (UNWO51)

### PRODUCT (NOTES)

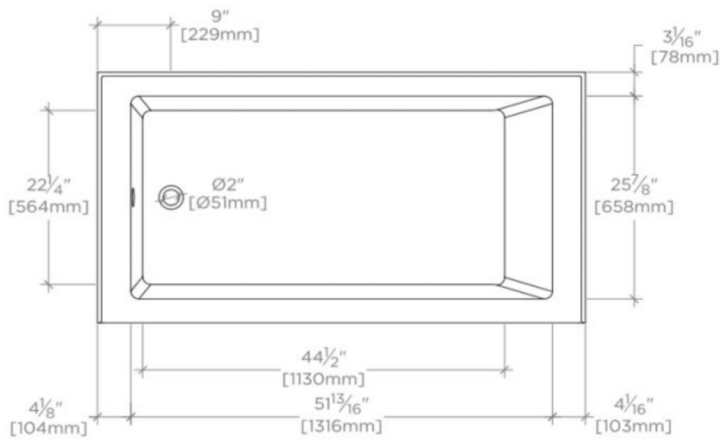
Dimensions of fixtures are nominal. Measure your actual product for rough-in details.

# WATERWORKS

## DURHAM

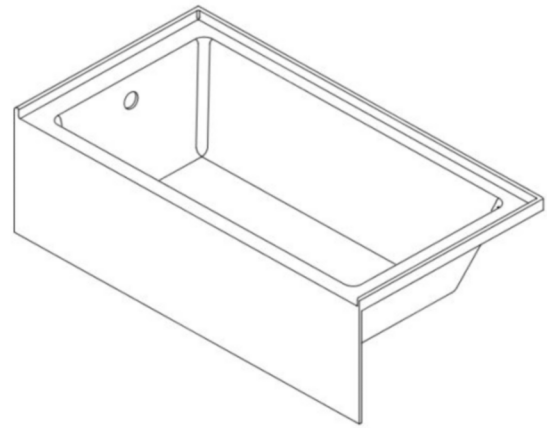
## DUBT6L

Durham II 60" x 32" x 18" Apron Acrylic Bathtub with Left Hand Drain



TOP VIEW

SCALE: 1/2"=1'-0"



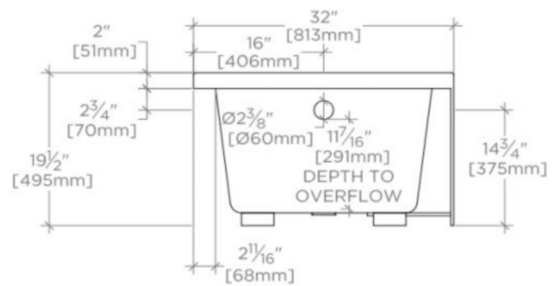
ISO VIEW

SCALE: 1/2"=1'-0"



FRONT VIEW

SCALE: 1/2"=1'-0"



SIDE VIEW

SCALE: 1/2"=1'-0"