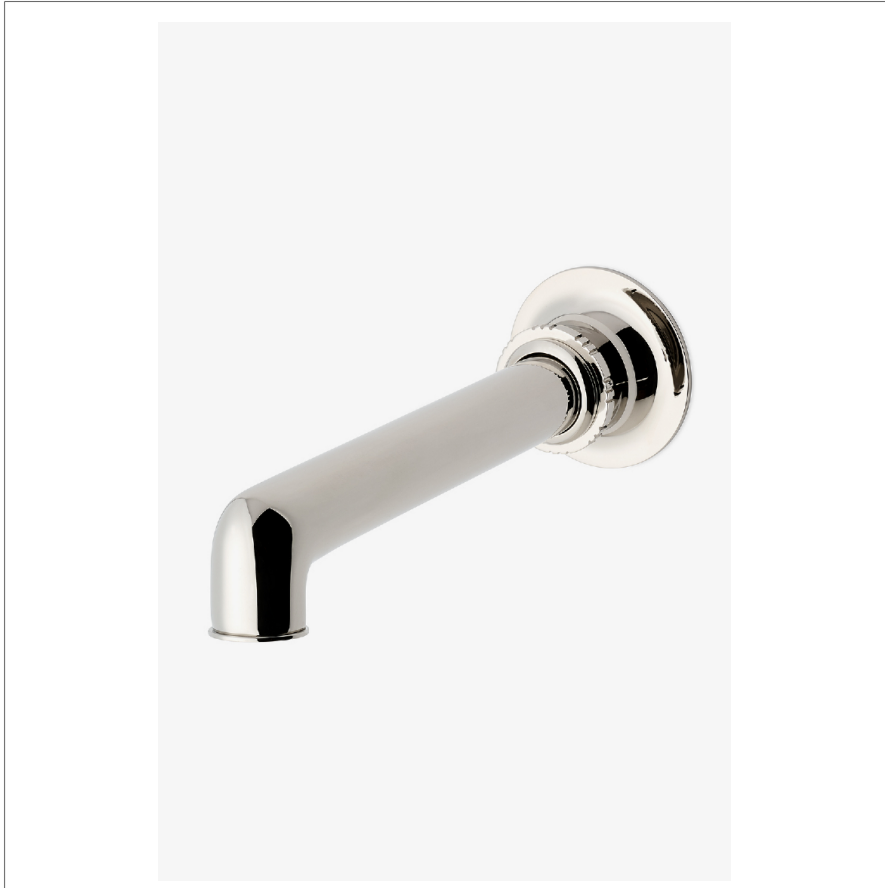


HENRY CHRONOS

CNTS01

Henry Chronos Wall Mounted Tub Spout



SHOWN IN HENRY CHRONOS WALL MOUNTED TUB SPOUT | CNTS01

TECHNICAL DETAILS

Fittings Hole Diameter: 1 3/8"
Inlet Connection Size: 1/2"
Inlet Connection Type: Female NPT and Male BSPP
Number Of Holes: One Hole
Primary Material: Brass
Water Pressure Maximum: 85.0 psi
Water Pressure Minimum: 20.0 psi
Water Pressure Recommended: 45.0 psi

INSPIRATION

Inspired by dive watches, Henry Chronos radiates design prowess and technical precision. Chronos retains the design integrity of our original, iconic Henry collection, while imbuing it with modern details and exquisite materials.

CODES & STANDARDS

CNTS01X, ASME A112.18.1/CSA B125.1, DOE, State of MA

PRODUCT FEATURES

Wall Mounted

Stocked in Brass, Chrome and Nickel

Unrestricted Flow

CERTIFICATIONS

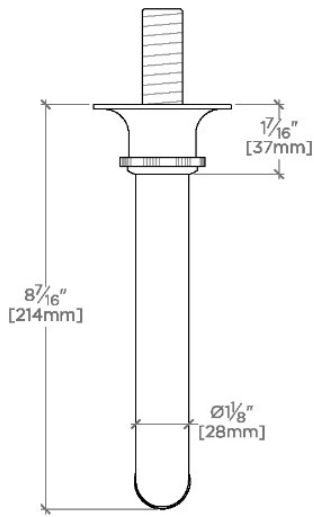


PRODUCT (NOTES)

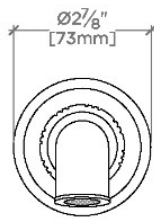
HENRY CHRONOS

CNTS01

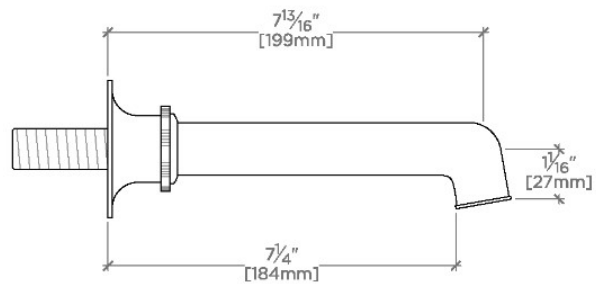
Henry Chronos Wall Mounted Tub Spout



TOP VIEW SCALE: 3"=1'-0"



FRONT VIEW SCALE: 3"=1'-0"



SIDE VIEW SCALE: 3"=1'-0"