

RIVERUN

RRTH23

Riverun Integrated Thermostatic and Diverter Trim with Tri-Spoke Handle



SHOWN IN RIVERUN INTEGRATED THERMOSTATIC AND DIVERTER TRIM WITH TRI-SPOKE HANDLE | RRTH23

TECHNICAL DETAILS

ADA Compliance: Yes
Integrated Diverter: Y
Number Of Holes: One Hole
Primary Material: Brass

INSPIRATION

This new American classic was designed with simplicity in mind. Featuring streamlined forms and honest details, it's the epitome of quiet elegance.

CODES & STANDARDS

ASME A112.18.1/CSA B125.1, State of MA

PRODUCT FEATURES

Features All Metal Tri-Spoke Handle

Smooth handle operation with haptic "clicks" at each diverter position for tactile feedback

A solid brass trim plate features engraved TEMPERATURE along with H and C markings.

Stocked in Nickel and Brass

Requires rough valve, sold separately: GUTH62 or GUTH63 (USA) or GU62TH or GU63TH (UK/International)

CERTIFICATIONS

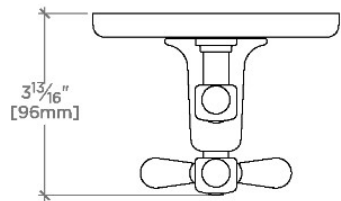


PRODUCT (NOTES)

RIVERUN

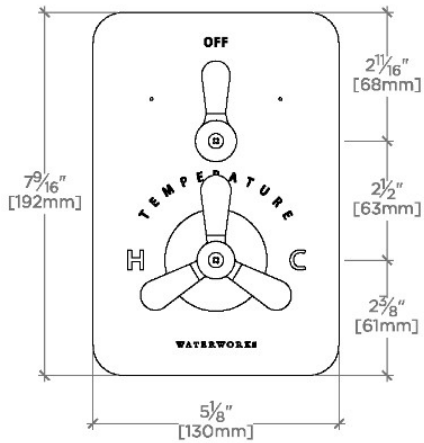
RRTH23

Riverun Integrated Thermostatic and Diverter Trim with Tri-Spoke Handle



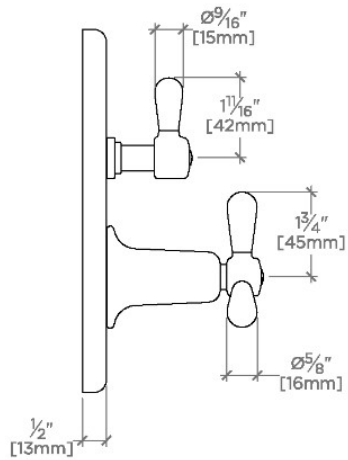
TOP VIEW

SCALE: 3"=1'-0"



FRONT VIEW

SCALE: 3"=1'-0"



SIDE VIEW

SCALE: 3"=1'-0"