

Bond

BKM22P

Bond Solo Series Gooseneck Kitchen Faucet and Spray with Two- Piece Straight Lever Handles



SHOWN IN BOND SOLO SERIES GOOSENECK KITCHEN FAUCET AND SPRAY WITH TWO- PIECE STRAIGHT LEVER HANDLES | BKM22P

TECHNICAL DETAILS

ADA Compliance: Yes
 Deck Thickness Maximum: 37 mm
 Deck Thickness Minimum: 6 mm
 Fittings Hole Diameter: 35 mm
 Handle Turn Angle: Quarter Turn
 Handshower Spray Hose Length: 1.5 m
 Inlet Connection Size: 1/2"
 Inlet Connection Type: Male with Supply Nut
 Integrated Diverter: Y
 Restricted Maximum Flow Rate: 6.6 liters/min
 Spout Swivel: Y
 Spray Included In Unit: Y
 Valve Material: Ceramic
 Water Pressure Maximum: 6.0 bar
 Water Pressure Minimum: 1.5 bar
 Water Pressure Recommended: 3.0 bar

INSPIRATION

Modern designs infused with rare soul and artistry. Explore our wide range of Bond bath and kitchen elements, from fittings to fixtures to hardware.

CODES & STANDARDS

BKM22PX, NSF/ANSI/CAN 61:Q < 1, NSF/ANSI/CAN 372, ASME A112.18.1/CSA B125.1, CEC, State of MA

PRODUCT FEATURES

Lever Handles

Powerful Side spray with push button activation

Features Two-Piece Straight Lever Handles

Stocked in Chrome, Nickel, Brass and Dark Nickel

Available in 1.75gpm (6.6L/min) flow rate

CERTIFICATIONS



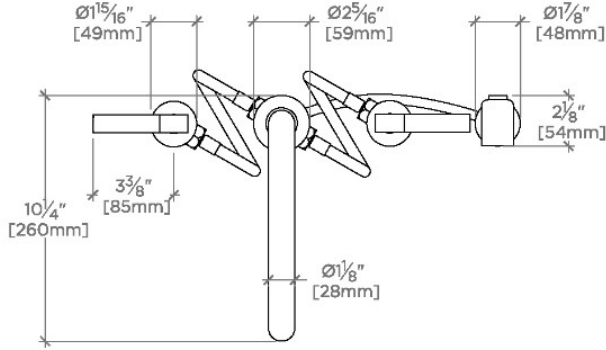
PRODUCT (NOTES)

WATERWORKS

Bond

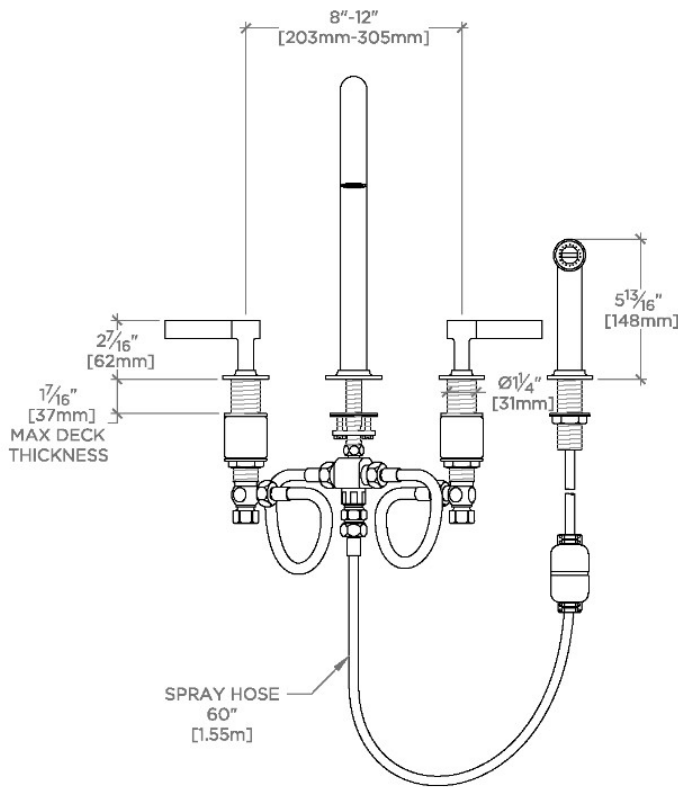
BKM22P

Bond Solo Series Gooseneck Kitchen Faucet and Spray with Two-Piece Straight Lever Handles



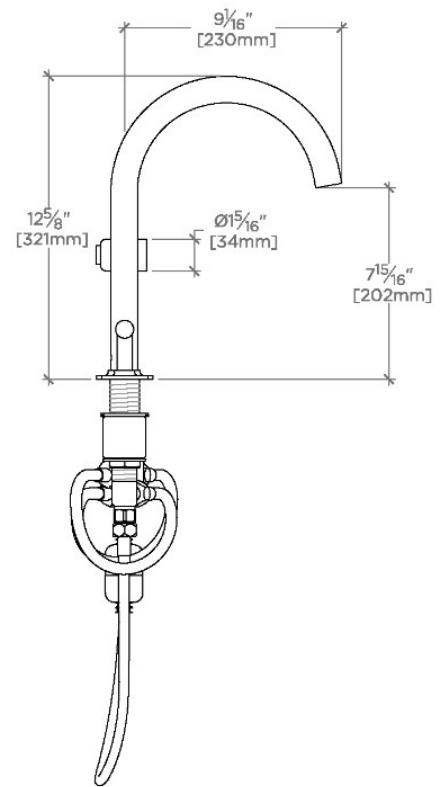
TOP VIEW

SCALE: $\frac{1}{2}$ "=1'-0"



FRONT VIEW

SCALE: $\frac{1}{2}$ "=1'-0"



SIDE VIEW

SCALE: $\frac{1}{2}$ "=1'-0"