

Finot Wall Mounted Lavatory Faucet with Lever Knob



SHOWN IN FINOT WALL MOUNTED LAVATORY FAUCET WITH LEVER KNOB | NLS703

TECHNICAL DETAILS

ADA Compliance: No
 Deck Thickness Maximum: 44 mm
 Deck Thickness Minimum: 6 mm
 Drain Depth Maximum: 51 mm
 Drain Depth Minimum: 10 mm
 Drain Hole Diameter: 38 mm
 Drain Style: Push Touch
 Fittings Hole Diameter: 35 mm
 Handle Spread Maximum: 203 mm
 Handle Spread Minimum: 203 mm
 Handle Turn Angle: Quarter Turn
 Inlet Connection Size: 1/2"
 Inlet Connection Type: Female NPT
 Inlet Supply Spread Maximum: 203 mm
 Inlet Supply Spread Minimum: 203 mm
 Restricted Maximum Flow Rate: 4.5 liters/min
 Water Pressure Maximum: 6.0 bar
 Water Pressure Minimum: 1.5 bar
 Water Pressure Recommended: 3.0 bar

INSPIRATION

Finot seamlessly blends meticulous details with contemporary sensibility. A true integration of design and engineering expertise, this collection is comprised of parts that are decisively cast and forged to achieve painstaking precision and refinement.

CODES & STANDARDS

NLS703X, NSF/ANSI/CAN 61:Q < 1, NSF/ANSI/CAN 372, ASME A112.18.1/CSA B125.1, WaterSense(1.0GPM and 1.2GPM Only), CEC, DOE, State of MA

PRODUCT FEATURES

Knob Handles

Includes Universal Push-Touch Drain (UNLD23) which fits 1-1/2" through 1-3/4" drain hole openings

Available in 1.2gpm (4.5L/min) flow rate

Stocked in Chrome, Nickel, Brass and Dark Nickel

Requires rough valve, sold separately

CERTIFICATIONS

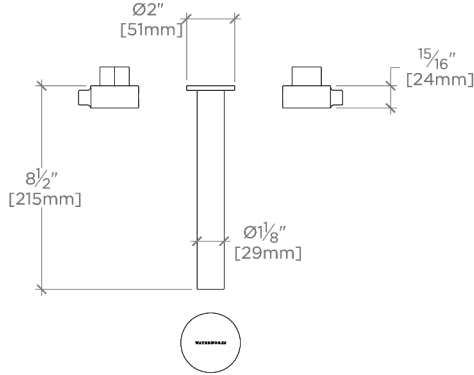


PRODUCT (NOTES)

FINOT

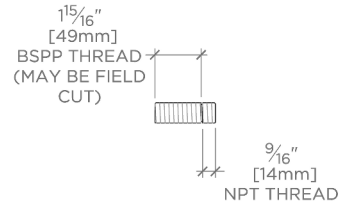
NLS703

Finot Wall Mounted Lavatory Faucet with Lever Knob

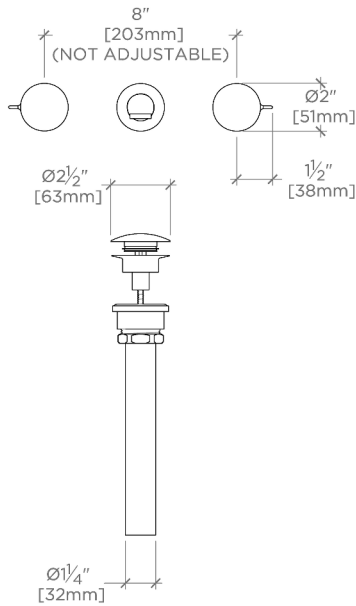


TOP VIEW

SCALE: 1 1/2"=1'-0"

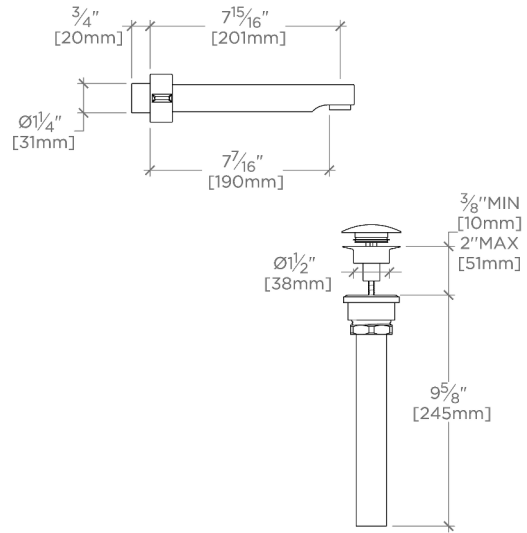


ADAPTER INCLUDED-
INTERNATIONAL USE ONLY



FRONT VIEW

SCALE: 1 1/2"=1'-0"



SIDE VIEW

SCALE: 1 1/2"=1'-0"