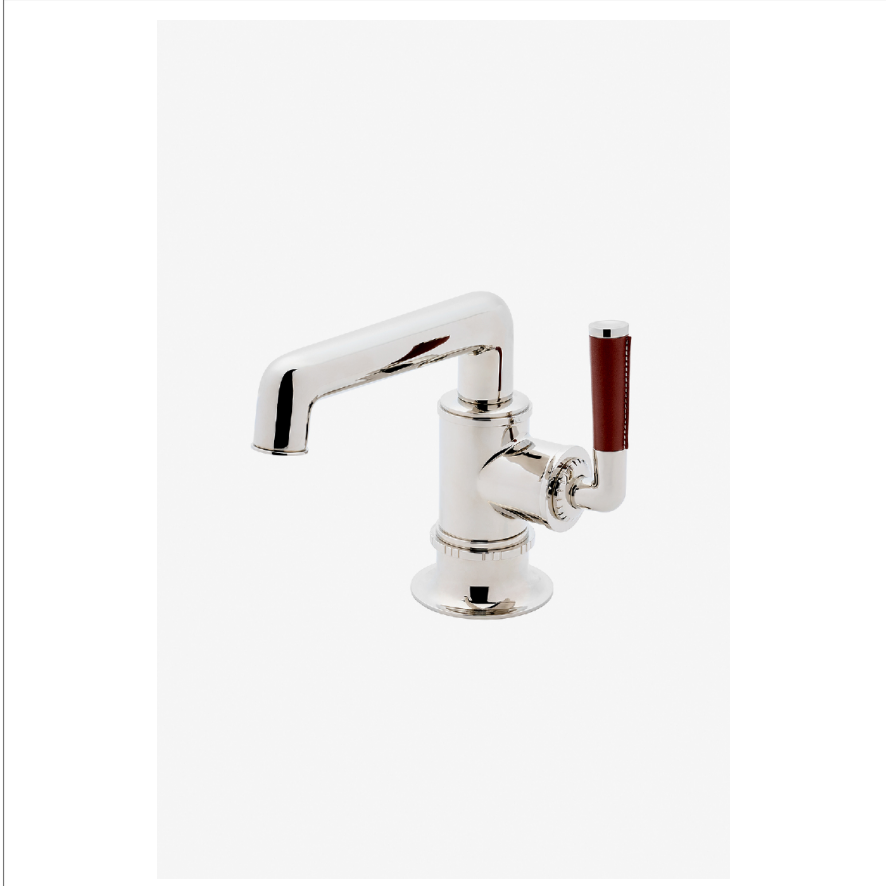


HENRY CHRONOS

CKM815

Henry Chronos Low Profile Bar Faucet with Leather Lever Handle



SHOWN IN HENRY CHRONOS LOW PROFILE BAR FAUCET WITH LEATHER LEVER HANDLE | CKM815

TECHNICAL DETAILS

ADA Compliance: Yes
 Deck Thickness Maximum: 3 1/8"
 Fittings Hole Diameter: 1 3/8"
 Handle Turn Angle: Quarter Turn
 Inlet Connection Size: 3/8"
 Inlet Connection Type: Compression Connection Hoses
 Restricted Maximum Flow Rate: 1.2 gpm
 Spout Swivel: N
 Valve Material: Brass and Ceramic
 Water Pressure Maximum: 85.0 psi
 Water Pressure Minimum: 20.0 psi
 Water Pressure Recommended: 45.0 psi

INSPIRATION

Inspired by dive watches, Henry Chronos radiates design prowess and technical precision. Chronos retains the design integrity of our original, iconic Henry collection, while imbuing it with modern details and exquisite materials.

CODES & STANDARDS

CKM815X, NSF/ANSI/CAN 61:Q < 1, NSF/ANSI/CAN 372, ASME A112.18.1/CSA B125.1

PRODUCT FEATURES

Features Lever Handle

Stocked in Chrome, Nickel, and Brass

Available in 1.2 gpm (4.5 L/min) flow rate

Handle rotates forward to prevent contact with backsplash

CERTIFICATIONS

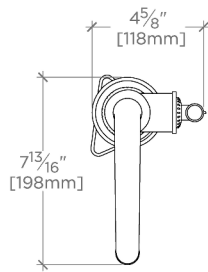


PRODUCT (NOTES)

HENRY CHRONOS

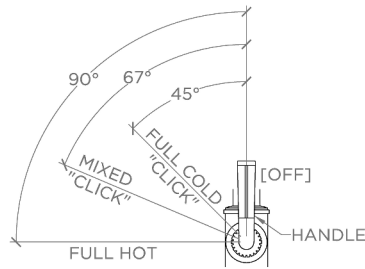
CKM815

Henry Chronos Low Profile Bar Faucet with Leather Lever Handle



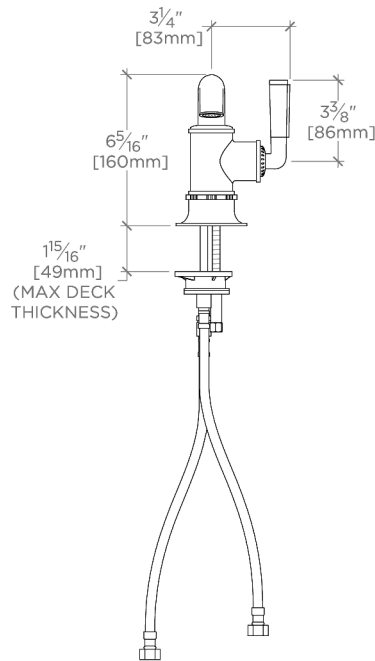
TOP VIEW

SCALE: 1 1/2"=1'-0"



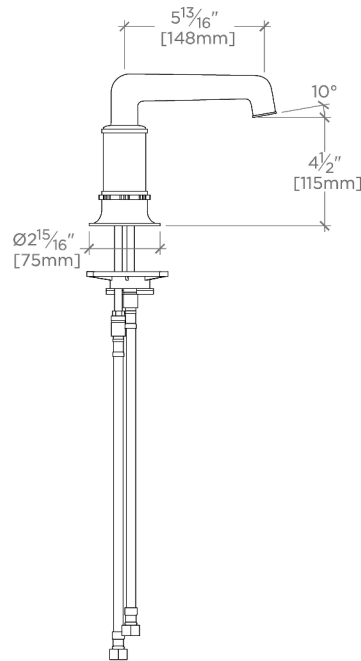
HANDLE OPERATION

SCALE: 1 1/2"=1'-0"



FRONT VIEW

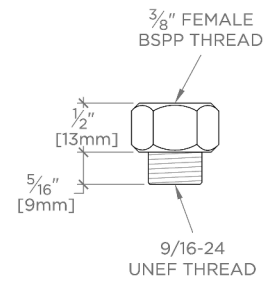
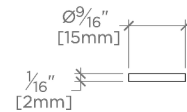
SCALE: 1 1/2"=1'-0"



SIDE VIEW

SCALE: 1 1/2"=1'-0"

NOTE:
ADAPTER AND GASKET
(x2) INCLUDED -
INTERNATIONAL USE
ONLY



NOT TO SCALE