

Bond

BTH32S

Bond Rally Series Integrated Thermostatic and Volume Control Trim with Knob and Lever Handles



SHOWN IN BOND RALLY SERIES INTEGRATED THERMOSTATIC AND VOLUME CONTROL TRIM WITH KNOB AND LEVER HANDLES | BTH32S

TECHNICAL DETAILS

ADA Compliance: Yes
 Integrated Diverter: Y
 Number Of Holes: Two Hole
 Primary Material: Brass

INSPIRATION

Modern designs infused with rare soul and artistry. Explore our wide range of Bond bath and kitchen elements, from fittings to fixtures to hardware.

CODES & STANDARDS

ASME A112.18.1/CSA B125.1, State of MA

PRODUCT FEATURES

Knob and Lever Handles

Allows bather to adjust temperature of all waterway outlets with a hot limit safety stop providing anti-scald protection

Features a Sport Black Finish, smooth and velvety to the touch

Stocked in Chrome/Sport Black

Requires rough valve, sold separately: GUTH71 (USA) or GU71TH (UK/International)

CERTIFICATIONS

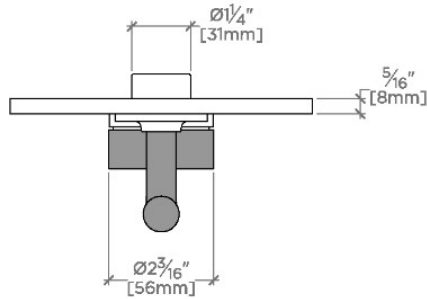


PRODUCT (NOTES)

Bond

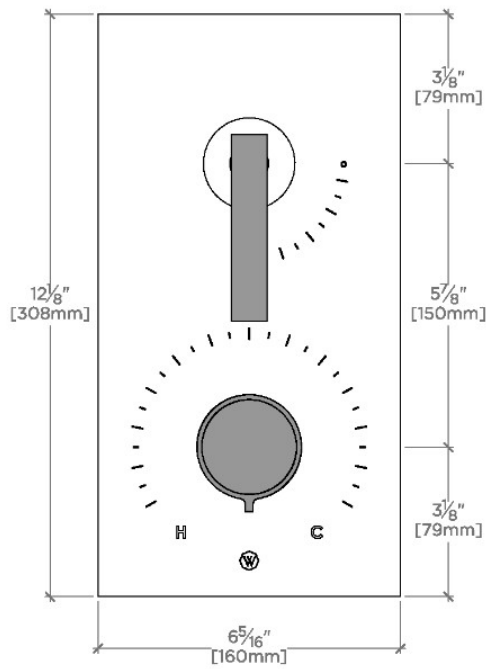
BTH32S

Bond Rally Series Integrated Thermostatic and Volume Control Trim with Knob and Lever Handles



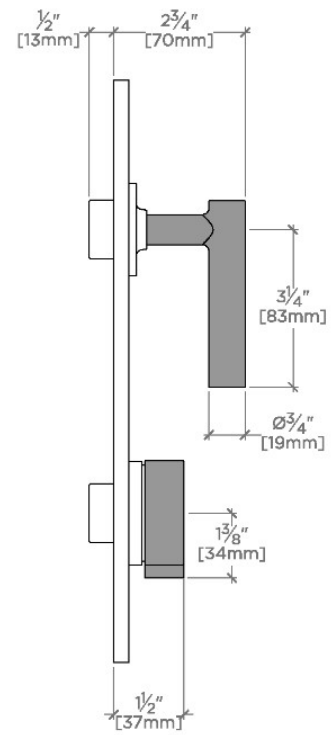
TOP VIEW

SCALE: 3"=1'-0"



FRONT VIEW

SCALE: 3"=1'-0"



SIDE VIEW

SCALE: 3"=1'-0"