

FINOT

NLS203

Finot High Profile Lavatory Faucet with Knob Handles



SHOWN IN FINOT HIGH PROFILE LAVATORY FAUCET WITH KNOB HANDLES | NLS203

TECHNICAL DETAILS

INSPIRATION

Finot seamlessly blends meticulous details with contemporary sensibility. A true integration of design and engineering expertise, this collection is comprised of parts that are decisively cast and forged to achieve painstaking precision and refinement.

CODES & STANDARDS

PRODUCT FEATURES

Knob Handles

Includes Universal Push-Touch Drain (UNLD23) which fits 1-1/2" through 1-3/4" drain hole openings

Available in 1.2gpm (4.5L/min) flow rate

Stocked in Chrome, Nickel, Brass and Dark Nickel

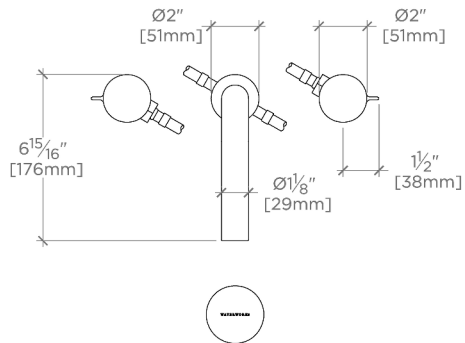
CERTIFICATIONS

PRODUCT (NOTES)

FINOT

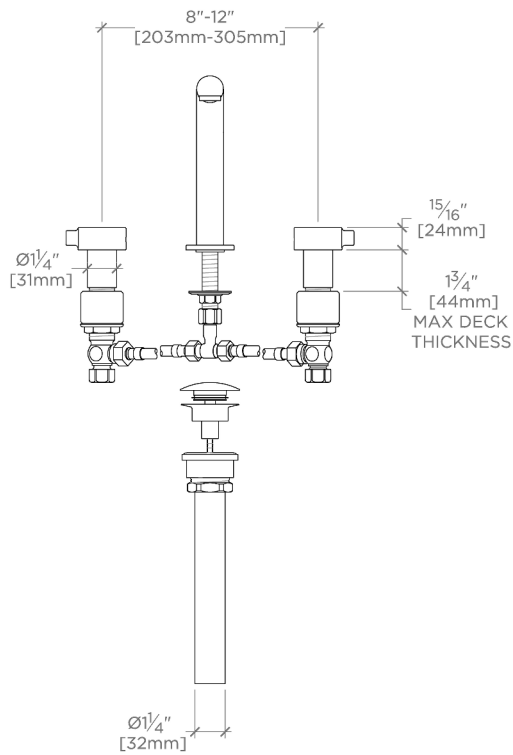
NLS203

Finot High Profile Lavatory Faucet with Knob Handles



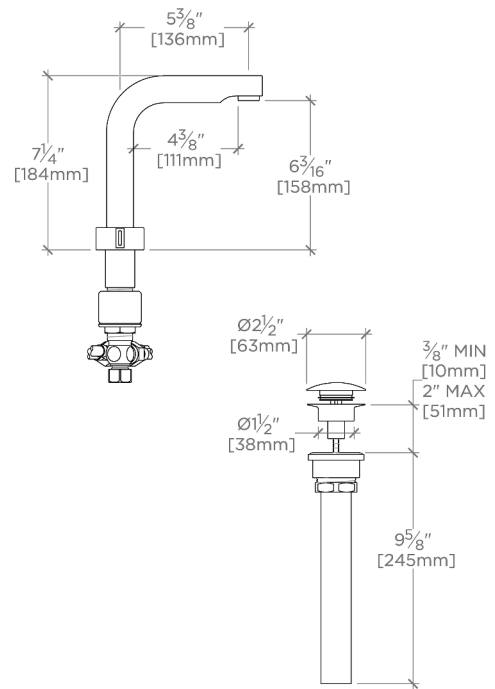
TOP VIEW

SCALE: 1/2"=1'-0"



FRONT VIEW

SCALE: 1/2"=1'-0"



SIDE VIEW

SCALE: 1/2"=1'-0"