

SAXBY

SALV25

Saxby Drop In or Undermount Oval Double Glazed Vitreous China Lavatory Sink 17 13/16" x 15 1/16" x 7 11/16"



SHOWN IN SAXBY DROP IN OR UNDERMOUNT OVAL SINGLE GLAZED VITREOUS CHINA LAVATORY SINK 17 13/16" X 15

TECHNICAL DETAILS

ADA Compliance: When installed per ADA guidelines
Bowl Shape: Oval
Depth / Width: 15 1/16"
Height: 7 11/16"
Installation Type: Undermount
Length: 17 13/16"
Number of Holes: Two Hole
Outer Rim Shape: Oval
Primary Material: Vitreous China
Suggested Application: Bath

INSPIRATION

Our Saxby collection is traditional but never outdated and evokes elegance in any room.

CODES & STANDARDS

Code # SALV25: ASME A112.19.2, CSA B45, IAPMO, State of MA

PRODUCT FEATURES

The Saxby lavatory is made of vitreous china, which produces a strong, non porous, high gloss product
The lavatory can be installed either as an overmount or an undermount application
All our Saxby sinks are manufactured in the United States

CERTIFICATIONS



PRODUCT (NOTES)

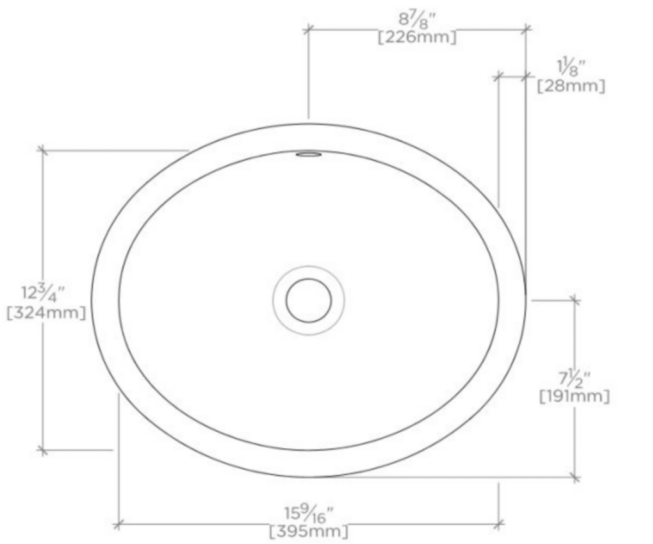
Dimensions of sinks are nominal and are subject to slight variations.

WATERWORKS

SAXBY

SALV25

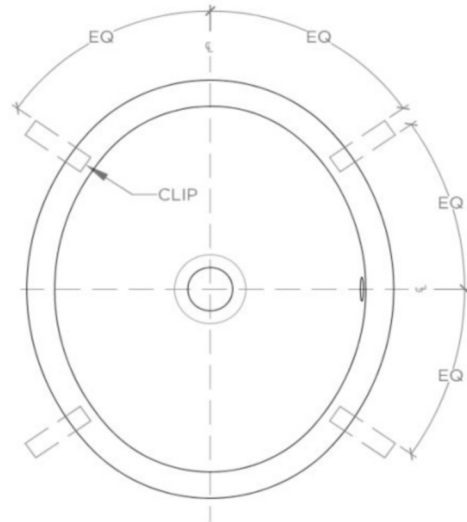
Saxby Drop In or Undermount Oval Double Glazed Vitreous China Lavatory Sink 17 13/16" x 15 1/16" x 7 11/16"



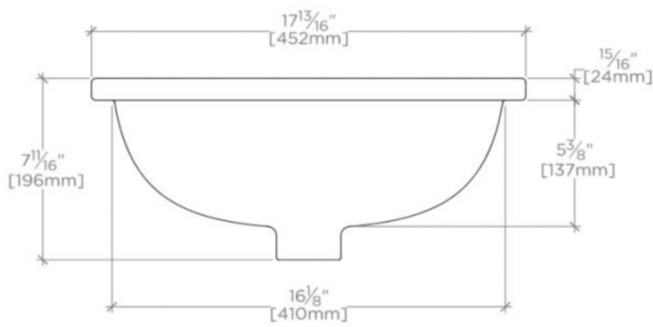
TOP VIEW

SCALE: 1/2"=1'-0"

UNDERMOUNT CLIPS SHOULD BE EQUALLY SPACED AROUND THE LAVATORY. FINAL POSITION OF CLIPS DETERMINED BY INSTALLER, BASED ON AVAILABLE SPACE. ADDITIONAL BLOCKING MAY BE REQUIRED TO SECURE THE LAVATORY.

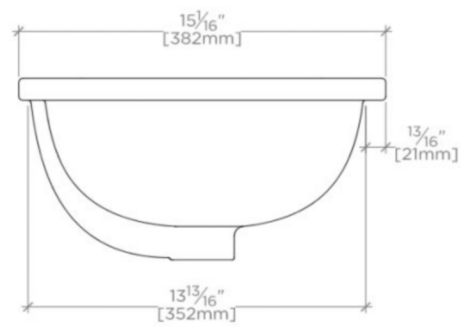


RECOMMENDED CLIP PLACEMENT



FRONT VIEW

SCALE: 1/2"=1'-0"



SIDE VIEW

SCALE: 1/2"=1'-0"