

## Henry

HTH312

Henry Integrated Thermostatic and Volume Control Trim  
with Two Tone Cross and Lever Handles



SHOWN IN HENRY INTEGRATED THERMOSTATIC AND VOLUME CONTROL TRIM WITH TWO TONE CROSS AND LEVER HANDLES | HTH312

### TECHNICAL DETAILS

ADA Compliance: Yes  
Fittings Hole Diameter: 64 mm  
Integrated Diverter: Y  
Number Of Holes: Two Hole  
Primary Material: Brass

### INSPIRATION

Influenced by the connection of industry and art Henry easily transitions between modern, traditional, utilitarian and classic settings.

### CODES & STANDARDS

ASME A112.18.1/CSA B125.1, State of MA

### PRODUCT FEATURES

Two-Tone Cross and Lever Handles

Allows bather to adjust temperature of all waterway outlets with a hot limit safety stop providing anti-scald protection

Stocked in Brass/Dark Nickel and Nickel/Dark Nickel

Requires rough valve, sold separately: GUTH71 (USA) or GU71TH (UK/International)

### CERTIFICATIONS

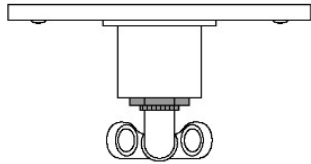


### PRODUCT (NOTES)

## Henry

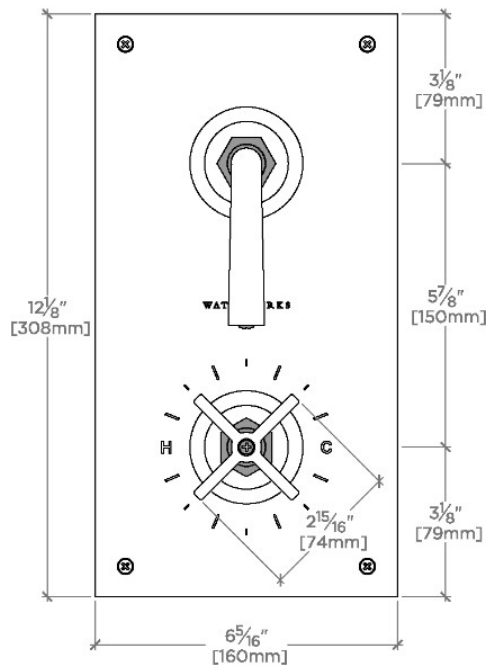
HTH312

Henry Integrated Thermostatic and Volume Control Trim  
with Two Tone Cross and Lever Handles



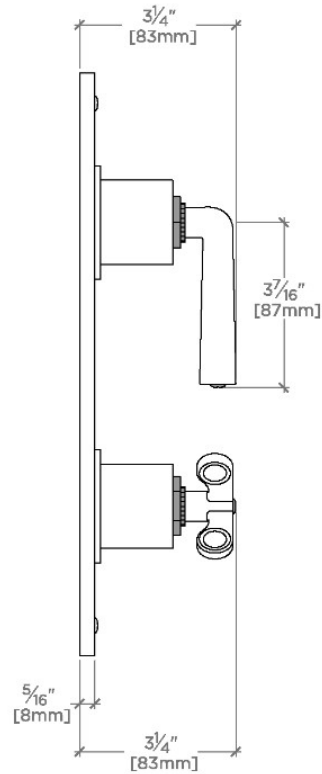
TOP VIEW

SCALE: 3"=1'-0"



FRONT VIEW

SCALE: 3"=1'-0"



SIDE VIEW

SCALE: 3"=1'-0"