

## FLYTE

FLS229

Flyte 12" Rain Showerhead with 22" Wall Mounted 90 Degree Shower Arm



SHOWN IN FLYTE 12" RAIN SHOWERHEAD WITH 22" WALL MOUNTED 90 DEGREE SHOWER ARM | FLS229

### TECHNICAL DETAILS

Adjustable Versus Fixed Spray: Fixed  
Fittings Hole Diameter: 1 1/4"  
Flow Restriction Options: 1.5, 1.75, 2.0  
Inlet Connection Size: 1/2"  
Inlet Connection Type: Male NPT  
Pivot: Y  
Primary Material: Brass  
Restricted Maximum Flow Rate: 1.75 gpm  
Water Pressure Maximum: 85.0 psi  
Water Pressure Minimum: 20.0 psi  
Water Pressure Recommended: 45.0 psi

### INSPIRATION

Pure Modernism. Like minimalist works of art, the elegant proportions of these light, fluid elements bring sculptural reference to a room.

### CODES & STANDARDS

FLS229X, ASME A112.18.1/CSA B125.1, CEC(1.5GPM & 1.75GPM Only), WaterSense(1.5GPM, 1.75GPM & 2.0GPM Only), DOE, State of MA

### PRODUCT FEATURES

Made of Brass

Features a swivel 12" rain showerhead with easy clean rubber nozzles

Includes a 22" wall mounted 90 degree shower arm

Stocked in Brass, Chrome, Nickel and Matte Nickel

Rain showerhead available in 1.75gpm (6.6L/min) flow rate

### CERTIFICATIONS

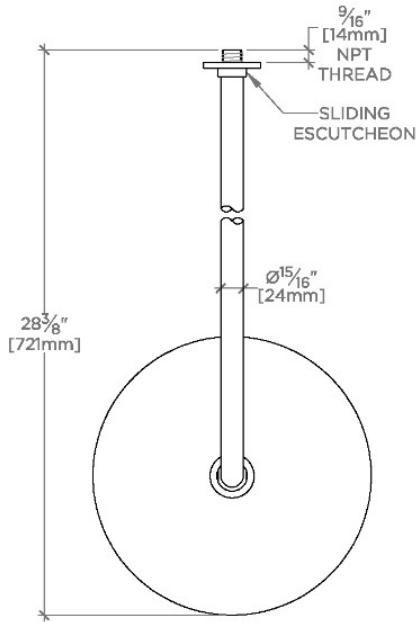


### PRODUCT (NOTES)

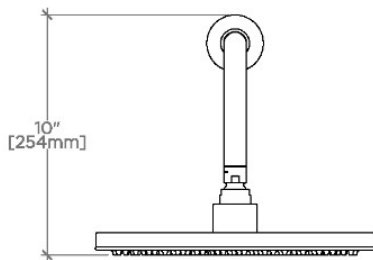
## FLYTE

FLS229

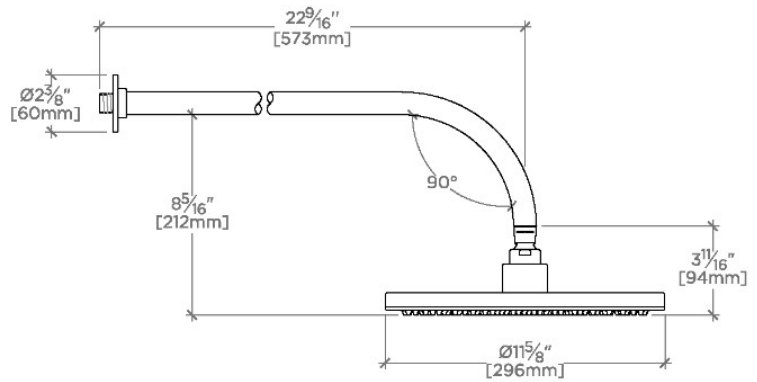
Flyte 12" Rain Showerhead with 22" Wall Mounted 90 Degree Shower Arm



TOP VIEW SCALE: 1/2"=1'-0"



FRONT VIEW SCALE: 1/2"=1'-0"



SIDE VIEW SCALE: 1/2"=1'-0"