

HENRY CHRONOS

CKM814

Henry Chronos Low Profile Bar Faucet with Walnut Lever Handle



SHOWN IN HENRY CHRONOS LOW PROFILE BAR FAUCET WITH WALNUT LEVER HANDLE | CKM814

TECHNICAL DETAILS

ADA Compliance: Yes
Deck Thickness Maximum: 3 1/8"
Fittings Hole Diameter: 1 3/8"
Handle Turn Angle: Quarter Turn
Inlet Connection Size: 3/8"
Inlet Connection Type: Compression Connection Hoses
Restricted Maximum Flow Rate: 1.2 gpm
Spout Swivel: N
Valve Material: Brass and Ceramic
Water Pressure Maximum: 85.0 psi
Water Pressure Minimum: 20.0 psi
Water Pressure Recommended: 45.0 psi

INSPIRATION

Inspired by dive watches, Henry Chronos radiates design prowess and technical precision. Chronos retains the design integrity of our original, iconic Henry collection, while imbuing it with modern details and exquisite materials.

CODES & STANDARDS

CKM814X, NSF/ANSI/CAN 61:Q < 1, NSF/ANSI/CAN 372, ASME A112.18.1/CSA B125.1

PRODUCT FEATURES

Features Lever Handle

Stocked in Chrome, Nickel, and Brass

Available in 1.2 gpm (4.5 L/min) flow rate

Handle rotates forward to prevent contact with backsplash

CERTIFICATIONS

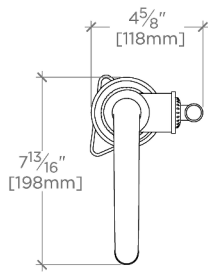


PRODUCT (NOTES)

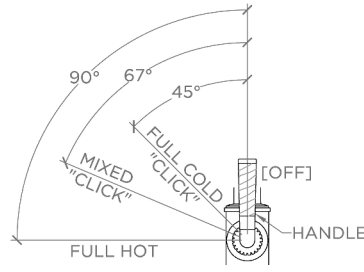
HENRY CHRONOS

CKM814

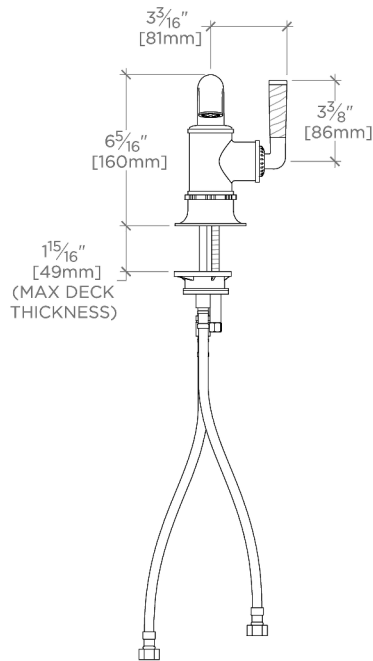
Henry Chronos Low Profile Bar Faucet with Walnut Lever Handle



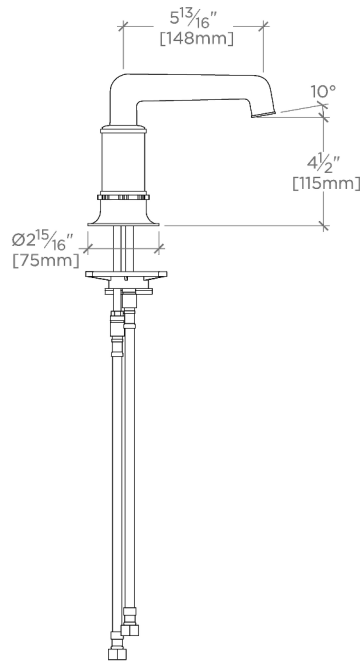
TOP VIEW SCALE: 1 1/2"=1'-0"



HANDLE OPERATION SCALE: 1 1/2"=1'-0"

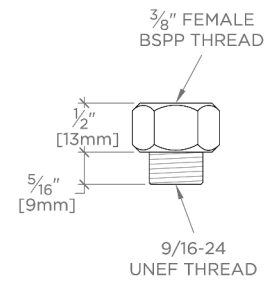
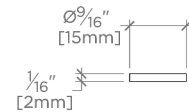


FRONT VIEW SCALE: 1 1/2"=1'-0"



SIDE VIEW SCALE: 1 1/2"=1'-0"

NOTE:
ADAPTER AND GASKET
(x2) INCLUDED -
INTERNATIONAL USE
ONLY



NOT TO SCALE