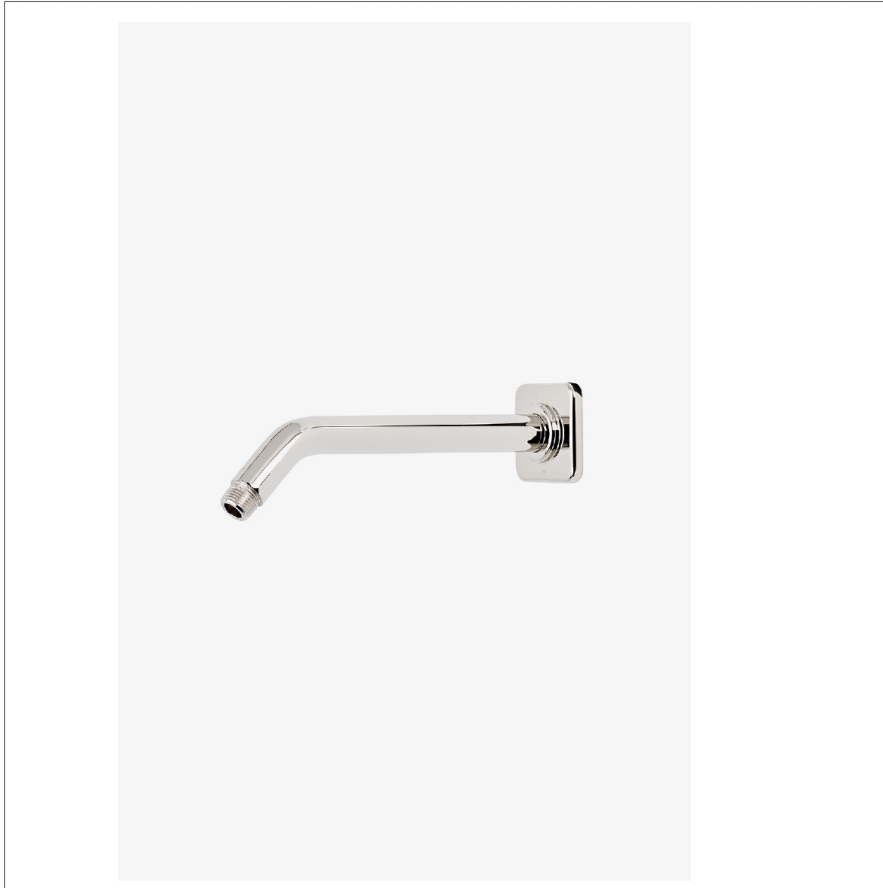


Ludlow

LDWL10

Ludlow 10" Wall Mounted 45 Degree Shower Arm with Flange



SHOWN IN LUDLOW 10" WALL MOUNTED 45 DEGREE SHOWER ARM WITH FLANGE | LDWL10

TECHNICAL DETAILS

Fittings Hole Diameter: 32 mm
Inlet Connection Size: 1/2"
Inlet Connection Type: Male NPT
Outlet Connection Size: 1/2"
Outlet Connection Type: Male NPT
Water Pressure Recommended: 3.0 bar

INSPIRATION

Our fresh take on American industrial design features comes in two styles, each of them clean-lined, versatile and unique to Waterworks. Choose from original Ludlow, featuring a square plate and exposed screws, and Ludlow Volta, with a round escutcheon for a softer, more transitional feel.

CODES & STANDARDS

PRODUCT FEATURES

Compatible with an assortment of Waterworks showerheads, sold separately

Brass Construction

Includes 10" wall mounted 45 degree shower arm

Stocked in Chrome, Nickel and Brass

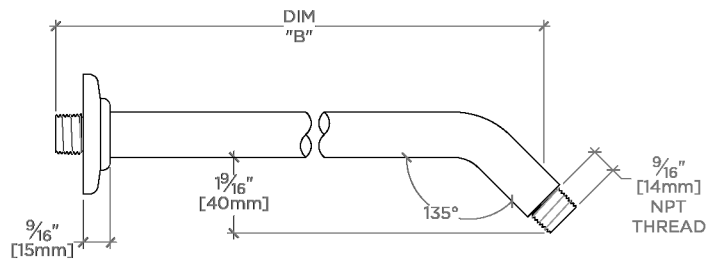
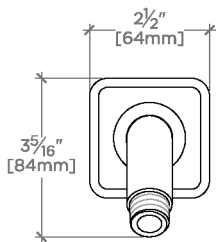
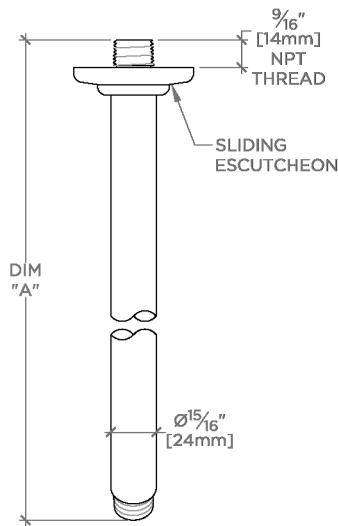
CERTIFICATIONS

PRODUCT (NOTES)

Ludlow

LDWL10

Ludlow 10" Wall Mounted 45 Degree Shower Arm with Flange



STYLE NO.	DIM "A"	DIM "B"
LDWL06	6 ¹⁵ / ₁₆ " [176mm]	6 ¹ / ₄ " [158mm]
LDWL08	8 ¹⁵ / ₁₆ " [226mm]	8 ¹ / ₄ " [209mm]
LDWL10	10 ¹⁵ / ₁₆ " [277mm]	10 ¹ / ₄ " [260mm]