

R.W. ATLAS

R.W. Atlas Wall Mounted Tub Spout

RW01TS



TECHNICAL DETAILS

ADA Compliance: Yes
Adjustable versus Fixed Spray: Fixed Spray
Escutcheon Primary Material: Brass
Fittings Hole Diameter: 25 mm
Depth / Width: 235 mm
Height: 71 mm
Inlet Connection Size: 3/4"
Inlet Connection Type: Male G/BSPP
Installation Type: Wall Mounted
Integrated Diverter: N
Integrated Spray: N
Length: 71 mm
Number of Holes: One Hole
Pivot: N
Primary Material: Brass
Spout Reach: 8 11/16"
Spout Swivel: N
Spray Included in Unit: N
Suggested Application: Bath
Water Pressure Maximum: 5.5 bar
Water Pressure Minimum: 1.5 bar
Water Pressure Recommended: 3.0 bar

INSPIRATION

Powerful shapes, genuine materials and unique aesthetic details. The original, impeccable vision of R.W. Atlas pairs American ingenuity with European craftsmanship.

PRODUCT FEATURES

Features knurled detail on the spout.
Unrestricted flow rate is 13 gpm at 45 psi.

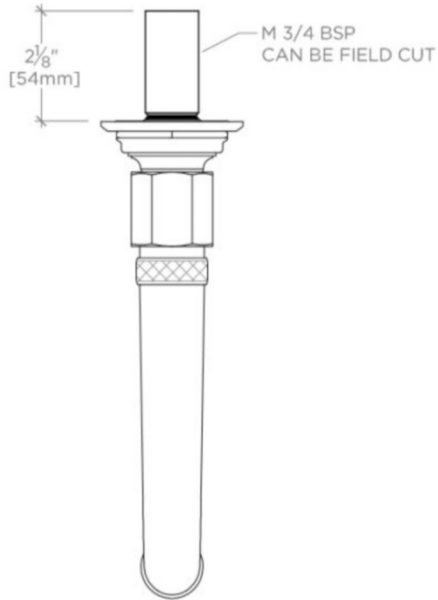
WATERWORKS

R.W. ATLAS

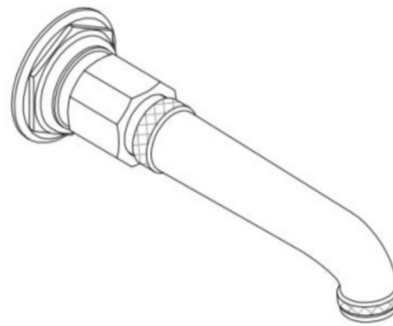
RW01TS

R.W. Atlas Wall Mounted Tub Spout

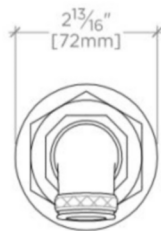
| ADAPTER(S) PACKAGED SEPARATELY | | |
|--------------------------------|--|-----|
| ADAPTER | DESCRIPTION | QTY |
| UNUK06 | 3/4" NPT Male x 3/4" Male Nipple 50mm Long BSP | 1 |



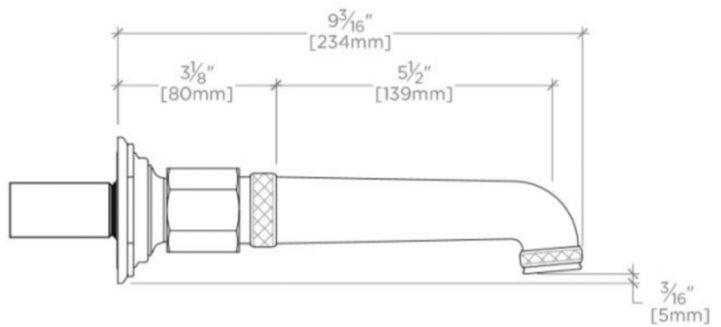
TOP VIEW SCALE: 3"=1'-0"



ISO VIEW SCALE: 3"=1'-0"



FRONT VIEW SCALE: 3"=1'-0"



SIDE VIEW SCALE: 3"=1'-0"