

Henry

HTH311

Henry Integrated Thermostatic and Volume Control Trim with Cross and Lever Handles



SHOWN IN HENRY INTEGRATED THERMOSTATIC AND VOLUME CONTROL TRIM WITH CROSS AND LEVER HANDLES | HTH311

TECHNICAL DETAILS

ADA Compliance: Yes
 Fittings Hole Diameter: 64 mm
 Integrated Diverter: Y
 Number Of Holes: Two Hole
 Primary Material: Brass

INSPIRATION

Influenced by the connection of industry and art Henry easily transitions between modern, traditional, utilitarian and classic settings.

CODES & STANDARDS

ASME A112.18.1/CSA B125.1, State of MA

PRODUCT FEATURES

Cross and Lever Handles

Allows bather to adjust temperature of all waterway outlets with a hot limit safety stop providing anti-scald protection

Stocked in Brass, Chrome, Nickel and Dark Nickel

Requires rough valve, sold separately: GUTH71 (USA) or GU71TH (UK/International)

CERTIFICATIONS

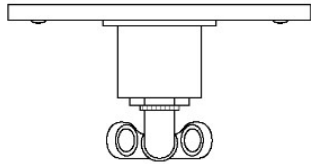


PRODUCT (NOTES)

Henry

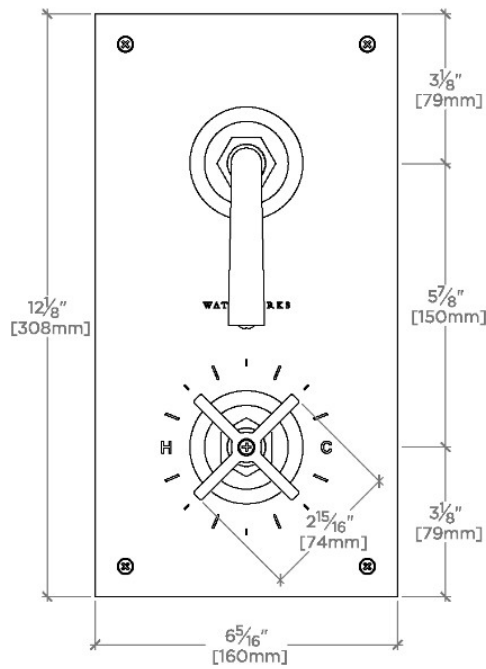
HTH311

Henry Integrated Thermostatic and Volume Control Trim
with Cross and Lever Handles



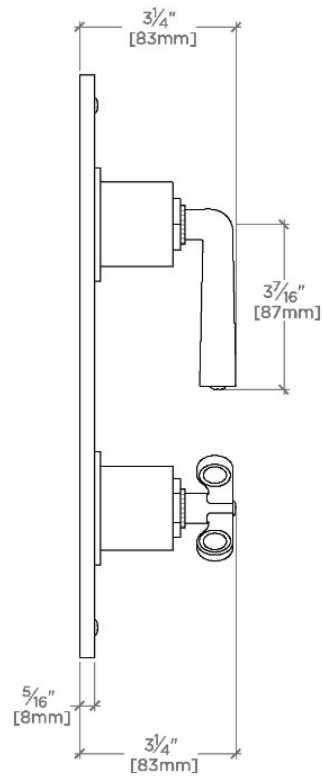
TOP VIEW

SCALE: 3"=1'-0"



FRONT VIEW

SCALE: 3"=1'-0"



SIDE VIEW

SCALE: 3"=1'-0"