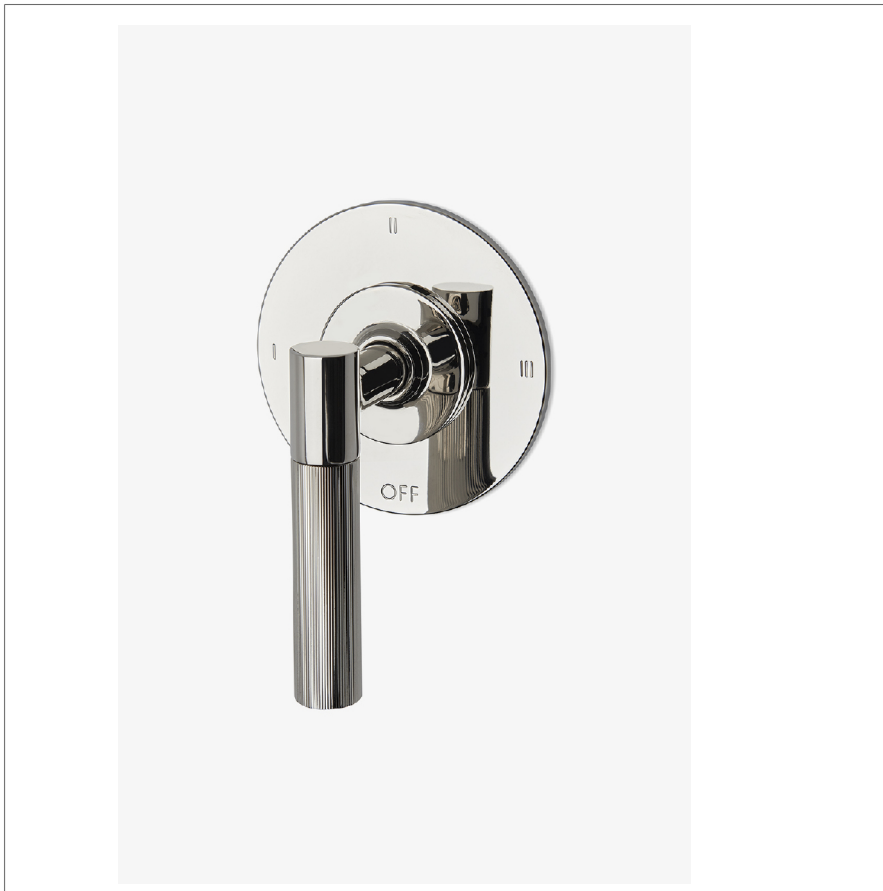


Bond

B3T12A

Bond Tandem Series Three Way Thermostatic Diverter Trim with Roman Numerals and Guilloche Lines Lever Handle



SHOWN IN BOND TANDEM SERIES THREE WAY THERMOSTATIC DIVERTER TRIM WITH ROMAN NUMERALS AND GUILLOCHE LINES LEVER HANDLE | B3T12A

TECHNICAL DETAILS

ADA Compliance: Yes
 Integrated Diverter: N
 Number Of Holes: One Hole
 Primary Material: Brass

INSPIRATION

Modern designs infused with rare soul and artistry. Explore our wide range of Bond bath and kitchen elements, from fittings to fixtures to hardware.

CODES & STANDARDS

ASME A112.18.1/CSA B125.1, State of MA

PRODUCT FEATURES

Lever Handle

For use with a Thermostatic shower system and three waterway outlets such as a handshower, shower head, and tub spout

Features Linear Guilloche Etching Lever Handle

Stocked in Nickel and Brass

Requires rough valve, sold separately: GUDV66

CERTIFICATIONS

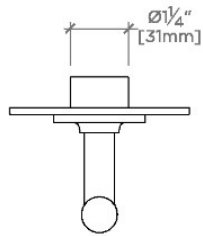


PRODUCT (NOTES)

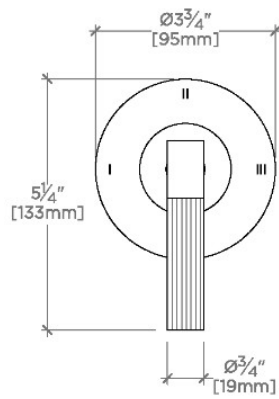
Bond

B3T12A

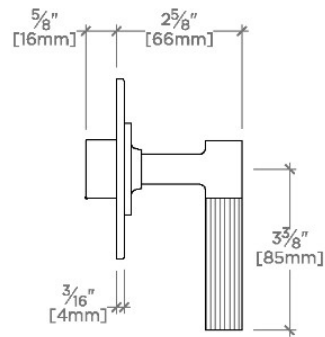
Bond Tandem Series Three Way Thermostatic Diverter Trim
with Roman Numerals and Guilloche Lines Lever Handle



TOP VIEW SCALE: 3"=1'-0"



FRONT VIEW SCALE: 3"=1'-0"



SIDE VIEW SCALE: 3"=1'-0"