

UNIVERSAL

UNMS31

Universal Angle Watercloset Supply Kits 1/2" Compression x 3/8"
O.D. Compression



TECHNICAL DETAILS

ADA Compliance: Yes
Escutcheon Primary Material: Brass
Depth / Width: 3 13/16"
Height: 13 3/8"
Inlet Connection Size: 1/2"
Inlet Connection Type: Compression
Length: 2 3/8"
Outlet Connection Size: 3/8"
Outlet Connection Type: Compression
Primary Material: Brass
Suggested Application: Bath
Water Pressure Maximum: 85.0 psi
Water Pressure Minimum: 20.0 psi
Water Pressure Recommended: 45.0 psi

INSPIRATION

Our Universal collection features timeless designs complementing any of our Waterworks. With a wide range of product, from fittings to accessories, Universal adds exquisite proportion and balance to any environment.

CODES & STANDARDS

Code # FDMS31: ASME A112.18.1 / CSA B125.1, IAPMO, State of MA

PRODUCT FEATURES

Created specifically to complement any bathroom aesthetic, the Universal watercloset supply kit adds a timeless touch of elegant to your plumbing.

This item is stocked in a Chrome, Nickel or Matte Nickel finishes and additional made-to-order finish options are available in 12 weeks from purchase

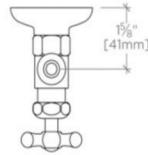


WATERWORKS

UNIVERSAL

UNMS31

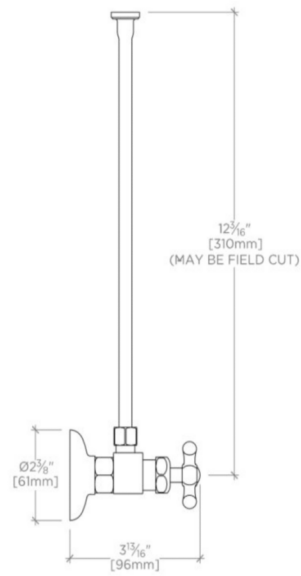
Universal Angle Watercloset Supply Kits 1/2" Compression x 3/8"
O.D. Compression



TOP VIEW SCALE: 3"=1'-0"



FRONT VIEW SCALE: 3"=1'-0"



SIDE VIEW SCALE: 3"=1'-0"