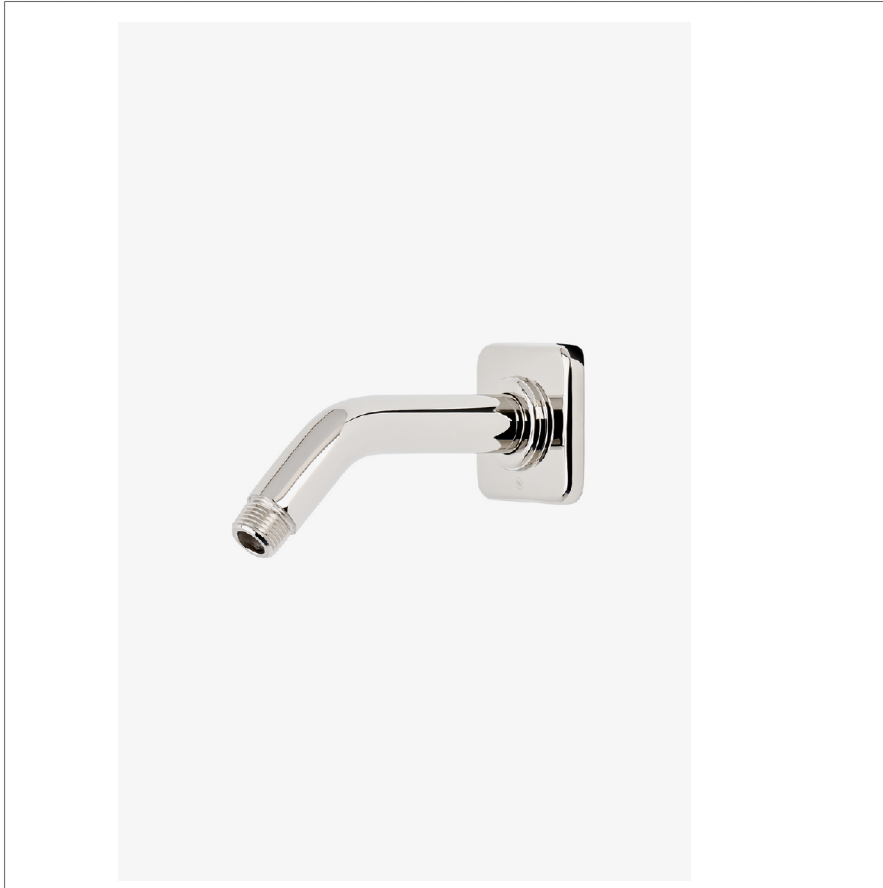


Ludlow

LDWL06

Ludlow 6" Wall Mounted 45 Degree Shower Arm with Flange



SHOWN IN LUDLOW 6" WALL MOUNTED 45 DEGREE SHOWER ARM WITH FLANGE | LDWL06

TECHNICAL DETAILS

Fittings Hole Diameter: 32 mm
Inlet Connection Size: 1/2"
Inlet Connection Type: Male NPT
Outlet Connection Size: 1/2"
Outlet Connection Type: Male NPT
Water Pressure Recommended: 3.0 bar

INSPIRATION

Our fresh take on American industrial design comes in three styles, each of them clean-lined, and distinct to Waterworks.

CODES & STANDARDS

PRODUCT FEATURES

Compatible with an assortment of Waterworks showerheads, sold separately

Brass Construction

Includes 6" wall mounted 45 degree shower arm

Stocked in Chrome, Nickel and Brass

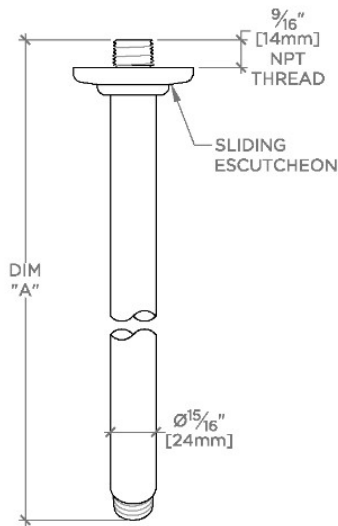
CERTIFICATIONS

PRODUCT (NOTES)

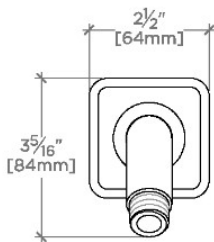
Ludlow

LDWL06

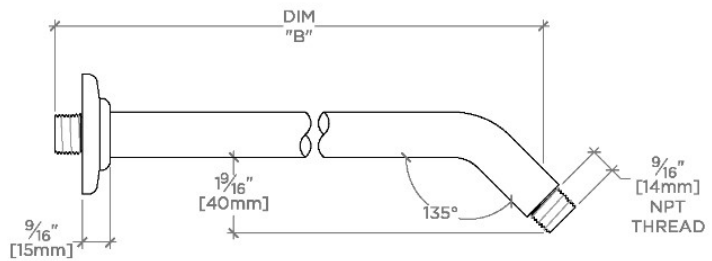
Ludlow 6" Wall Mounted 45 Degree Shower Arm with Flange



TOP VIEW SCALE: 3"=1'-0"



FRONT VIEW SCALE: 3"=1'-0"



SIDE VIEW SCALE: 3"=1'-0"

STYLE NO.	DIM "A"	DIM "B"
LDWL06	$6\frac{15}{16}$ " [176mm]	$6\frac{1}{4}$ " [158mm]
LDWL08	$8\frac{15}{16}$ " [226mm]	$8\frac{1}{4}$ " [209mm]
LDWL10	$10\frac{15}{16}$ " [277mm]	$10\frac{1}{4}$ " [260mm]