

ViaWorks

GU52TH

ViaWorks 3/4" Thermostatic Valve with Integrated Two Way Diverter with Shutoff Valve



SHOWN IN VIAWORKS 3/4" THERMOSTATIC VALVE WITH INTEGRATED TWO WAY DIVERTER WITH SHUTOFF VALVE | GU52TH

TECHNICAL DETAILS

Inlet Connection Size: 3/4"
Inlet Connection Type: Female BSPP
Outlet Connection Size: 1/2"
Outlet Connection Type: Male BSPP
Primary Material: Brass
Valve Material: Bi-Metallic Strip (Thermostatic) and Ceramic (Diverter)
Water Pressure Maximum: 6.0 bar
Water Pressure Minimum: 1.5 bar
Water Pressure Recommended: 3.0 bar

INSPIRATION

The ViaWorks collection encompasses all Waterworks valves, which are just as impeccably engineered as our legendary fittings and the finest the industry has to offer in terms of performance, features and functionality. ViaWorks valves are engineered with more than three generations of bath and kitchen expertise, each with installers and lifelong service in mind.

CODES & STANDARDS

PRODUCT FEATURES

CERTIFICATIONS

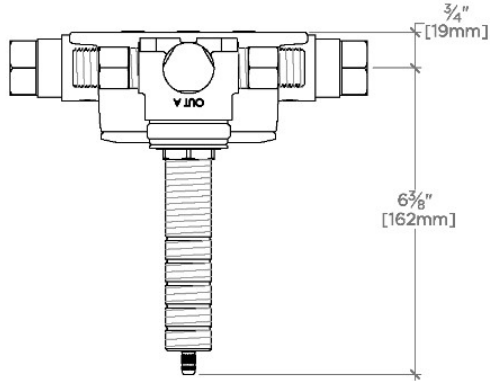
PRODUCT (NOTES)

WATERWORKS

ViaWorks

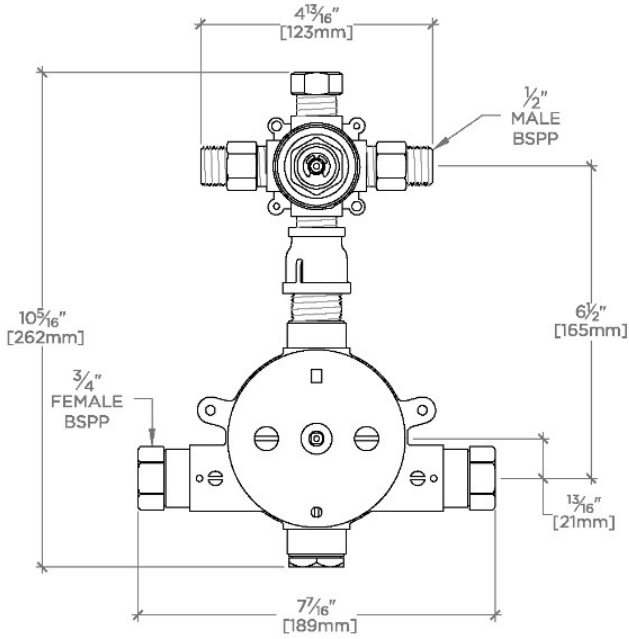
GU52TH

ViaWorks 3/4" Thermostatic Valve with Integrated Two Way Diverter with Shutoff Valve

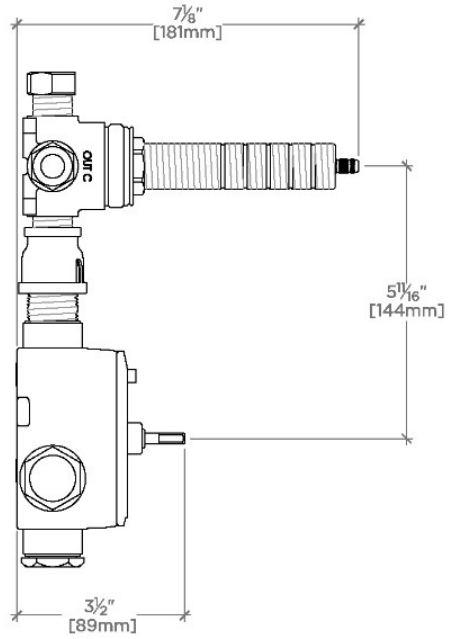


ADAPTER(S) PACKAGED SEPARATELY		
ADAPTER	DESCRIPTION	QTY
UNUK01	3/4" Male NPT x 3/4" Female BSPP	3
UNUK03	1/2" Female NPT x 1/2" Male BSPP	2

TOP VIEW SCALE: 3"=1'-0"



FRONT VIEW SCALE: 3"=1'-0"



SIDE VIEW SCALE: 3"=1'-0"