

Julia

JUXT01

Julia Exposed Tub Filler with Handshower and White Porcelain Lever Diverter



SHOWN IN JULIA EXPOSED TUB FILLER WITH HANDSHOWER AND WHITE PORCELAIN LEVER DIVERTER | JUXT01

TECHNICAL DETAILS

ADA Compliance: No
 Adjustable Versus Fixed Spray: Fixed Spray
 Depth/Width: 165 mm
 Diameter Of Head: 71 mm
 Flow Restriction Options: 2.5, 2.0, 1.75, 1.5, 0.92
 Handle Spread Maximum: 149 mm
 Handle Spread Minimum: 149 mm
 Handle Turn Angle: Quarter Turn
 Handshower Spray Hose Length: 1.5 m
 Height: 318 mm
 Index Color Finish And Material: White Porcelain
 Index Marking: Hot/Cold
 Inlet Connection Size: 3/4"
 Inlet Connection Type: Union Nut
 Inlet Supply Spread Maximum: 149 mm
 Inlet Supply Spread Minimum: 149 mm
 Integrated Diverter: Y
 Length: 267 mm
 Number Of Handles: Three
 Pivot: N
 Primary Material: Brass
 Restricted Maximum Flow Rate: 9.5 liters/min
 Spout Swivel: N
 Suggested Application: Bath
 Valve Material: Ceramic
 Water Pressure Maximum: 6.0 bar
 Water Pressure Minimum: 1.5 bar
 Water Pressure Recommended: 3.0 bar

INSPIRATION

An interpretation of 1920s French country, Julia speaks to decoration and intricate design displayed through beautifully composed turnings. These details embody the robust, signature high profile spout enabling Julia to transition fluidly from informal to formal environments.

CODES & STANDARDS

CEC, State of MA

PRODUCT FEATURES

Cross handles, porcelain lever diverter and indices

Diverter handle allows bather to move water from spout to handshower

Unions sold separately - UNUN60 (Floor Union), JUUN07 (Deck Union) and JUUN06 (Wall Union)

Stocked in Chrome, Nickel, Brass & Matte Nickel

Unrestricted Flow for Tub Spout. Handshower Available in 1.75gpm (6.6L/min) Flow Rate

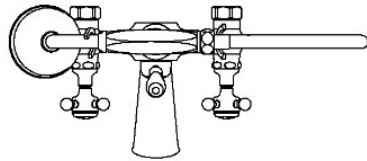
CERTIFICATIONS

Requires wall unions (JUUN06), deck unions (JUUN07), or
PRODUCT UNIONS

Julia

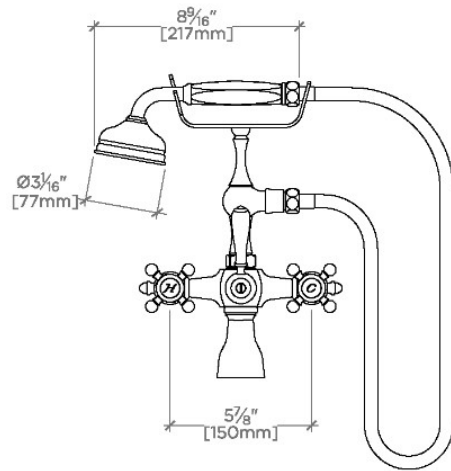
JUXT01

Julia Exposed Tub Filler with Handshower and White Porcelain Lever Diverter



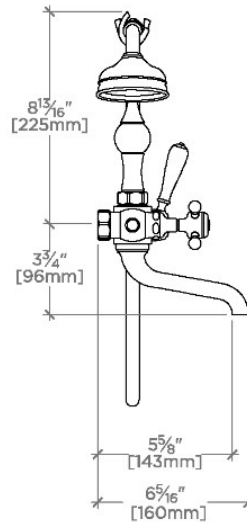
TOP VIEW

SCALE: 1 1/2"=1'-0"



FRONT VIEW

SCALE: 1 1/2"=1'-0"



SIDE VIEW

SCALE: 1 1/2"=1'-0"