

Bond

BTH22A

Bond Tandem Series Round Thermostatic Control Valve Trim with Guilloche Lines Lever Handle



SHOWN IN BOND TANDEM SERIES ROUND THERMOSTATIC CONTROL VALVE TRIM WITH GUILLOCHE LINES LEVER HANDLE | BTH22A

TECHNICAL DETAILS

ADA Compliance: Yes
 Integrated Diverter: N
 Number Of Holes: One Hole
 Primary Material: Brass

INSPIRATION

Bond draws inspiration from the Aesthetic Movement, rare vintage lighters, and modern industrial design. The result is a contemporary collection with a soulful quality that inhabits the full range of modern style, from austere minimalism to warm contemporary.

CODES & STANDARDS

ASME A112.18.1/CSA B125.1, State of MA

PRODUCT FEATURES

Lever Handle

Allows bather to adjust temperature of all waterway outlets with a hot limit safety stop providing anti-scald protection

Features Linear Guilloche Etching Handle

Stocked in Nickel and Brass

Requires rough valve, sold separately: GUTH56 (1/2") or GUTH38 (3/4")

CERTIFICATIONS

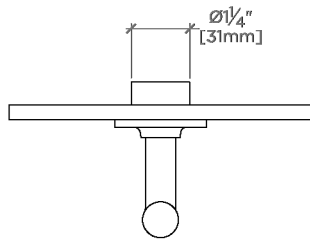


PRODUCT (NOTES)

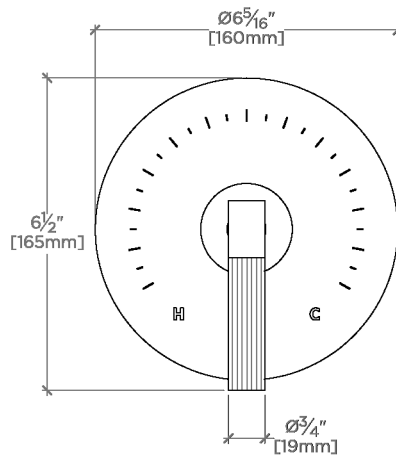
Bond

BTH22A

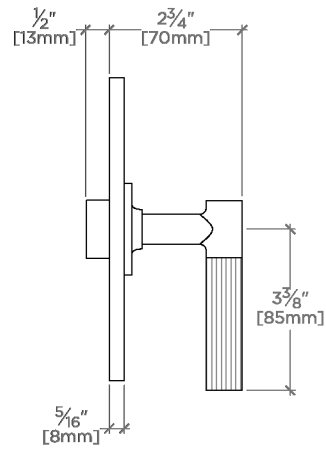
Bond Tandem Series Round Thermostatic Control Valve Trim
with Guilloche Lines Lever Handle



TOP VIEW SCALE: 3"=1'-0"



FRONT VIEW SCALE: 3"=1'-0"



SIDE VIEW SCALE: 3"=1'-0"