

# WATERWORKS

## R.W. ATLAS

RW10TF

R.W. Atlas Deck Mounted Low Profile Concealed Tub Filler with Metal Handshower and Metal Lever Handles



### TECHNICAL DETAILS

ADA Compliance: Yes  
Adjustable versus Fixed Spray: Fixed Spray  
Deck Thickness Maximum: 25 mm  
Deck Thickness Minimum: 10 mm  
Diameter of Head: 68 mm  
Escutcheon Primary Material: Brass  
Fittings Hole Diameter: 35 mm  
Flow Restriction Options: 2.0, 1.75, 1.5, 0.92  
Handle Spread Maximum: 305 mm  
Handle Spread Minimum: 254 mm  
Handle Turn Angle: Quarter Turn  
Handshower / Spray Hose Length: 2.0 m  
Depth / Width: 240 mm  
Height: 179 mm  
Inlet Connection Size: 3/4"  
Inlet Connection Type: Male G/BSPP  
Inlet Supply Spread Maximum: 305 mm  
Inlet Supply Spread Minimum: 254 mm  
Installation Type: Deck Mounted  
Integrated Diverter: N  
Integrated Spray: N  
Length: 481 mm  
Number of Handles: Two  
Number of Holes: Four Hole  
Pivot: N  
Primary Material: Brass  
Restricted Maximum Flow Rate: 9.5 liters/min  
Spout Reach: 7 1/2"  
Spout Swivel: N  
Spray Included in Unit: N  
Suggested Application: Bath  
Valve Material: Ceramic  
Water Pressure Maximum: 5.5 bar  
Water Pressure Minimum: 1.5 bar  
Water Pressure Recommended: 3.0 bar

### INSPIRATION

Powerful shapes, genuine materials and unique aesthetic details. The original, impeccable vision of R.W. Atlas pairs American ingenuity with European craftsmanship.

### PRODUCT FEATURES

Features tumbled barrels marked with an engraved H and C with knurled detail on the spout.  
Integrated pull up diverter on spout.  
Unrestricted flow rate is 10 gpm at 45 psi.  
Standard flow rate is 2.5gpm for handshower only. Also available in high efficiency flow options.  
Contact your sales associate or call 1 (800) 899-6757 for details.

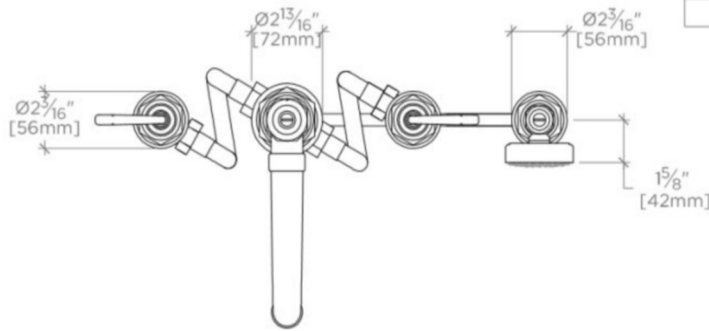
# WATERWORKS

## R.W. ATLAS

## RW10TF

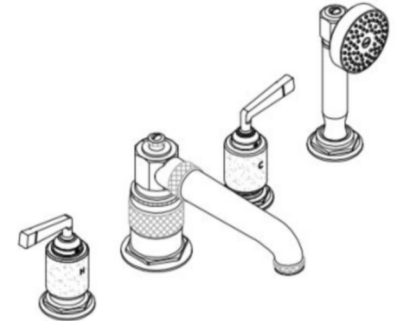
R.W. Atlas Deck Mounted Low Profile Concealed Tub Filler with Metal Handshower and Metal Lever Handles

ADAPTER(S) PACKAGED SEPARATELY		
ADAPTER	DESCRIPTION	QTY
UNUK05	¾" NPT Female x ¾" Male BSP	2



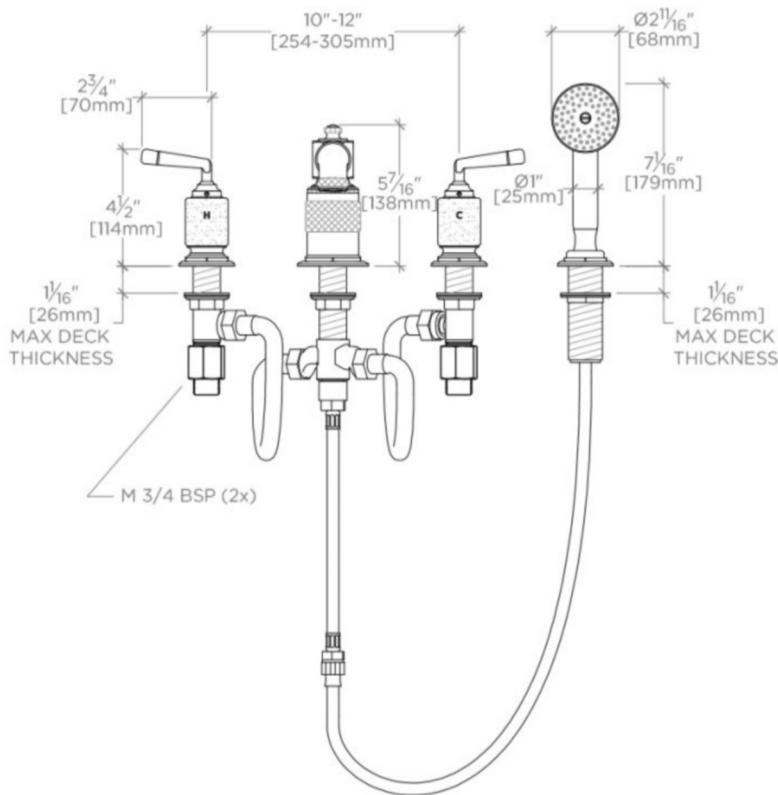
TOP VIEW

SCALE: 1½"=1'-0"



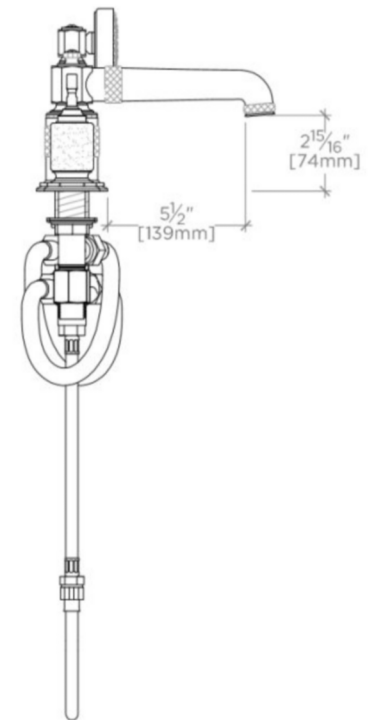
ISO VIEW

SCALE: 1½"=1'-0"



FRONT VIEW

SCALE: 1½"=1'-0"



SIDE VIEW

SCALE: 1½"=1'-0"