

## Bond

BNWL22

Bond 22" Wall Mounted 90 Degree Shower Arm with Flange



SHOWN IN BOND 22" WALL MOUNTED 90 DEGREE SHOWER ARM WITH FLANGE | BNWL22

### TECHNICAL DETAILS

Fittings Hole Diameter: 32 mm  
Inlet Connection Size: 1/2"  
Inlet Connection Type: Male NPT  
Outlet Connection Size: 1/2"  
Outlet Connection Type: Male NPT  
Water Pressure Recommended: 3.0 bar

### INSPIRATION

Bond draws inspiration from the Aesthetic Movement, rare vintage lighters, and modern industrial design. The result is a contemporary collection with a soulful quality that inhabits the full range of modern style, from austere minimalism to warm contemporary.

### CODES & STANDARDS

### PRODUCT FEATURES

Compatible with an assortment of Waterworks showerheads, sold separately

Brass Construction

Includes 22" wall mounted 90 degree shower arm

Stocked in Chrome, Nickel and Brass

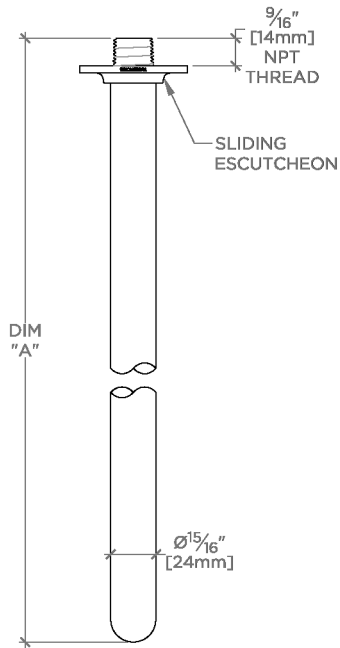
### CERTIFICATIONS

### PRODUCT (NOTES)

## Bond

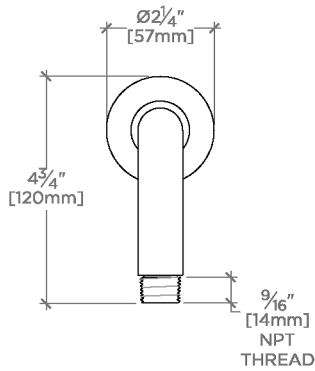
## BNWL22

Bond 22" Wall Mounted 90 Degree Shower Arm with Flange

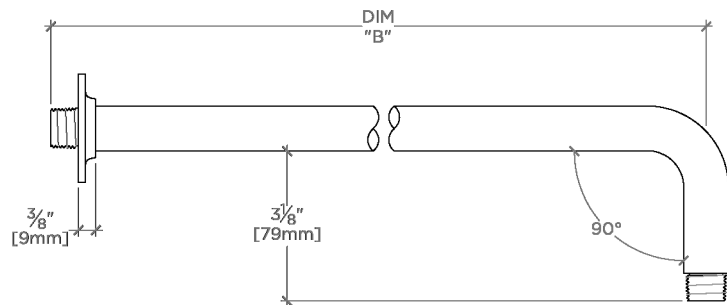


TOP VIEW SCALE: 3"=1'-0"

STYLE NO.	DIM "A"	DIM "B"
BNWL12	13 $\frac{1}{16}$ " [331mm]	12 $\frac{1}{2}$ " [319mm]
BNWL18	19 $\frac{1}{16}$ " [484mm]	18 $\frac{1}{2}$ " [472mm]
BNWL22	23 $\frac{1}{16}$ " [585mm]	22 $\frac{1}{2}$ " [572mm]



FRONT VIEW SCALE: 3"=1'-0"



SIDE VIEW SCALE: 3"=1'-0"