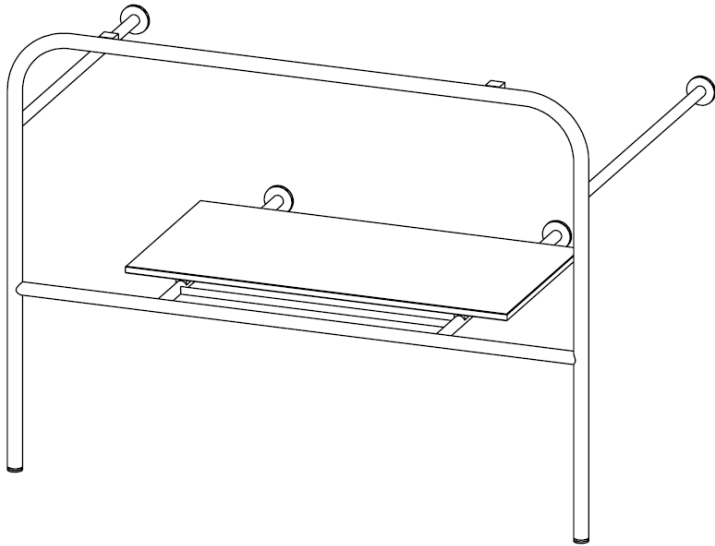


WATERWORKS

INSTALLATION GUIDELINES

Flyte 42" Two Leg Washstand with Glass Shelf

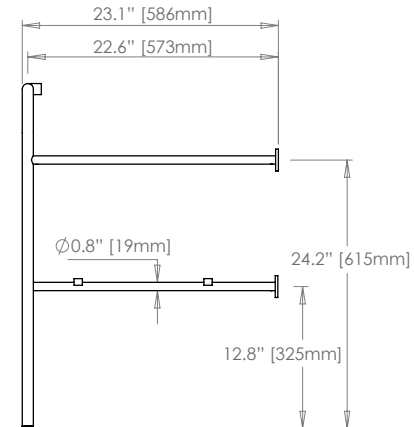
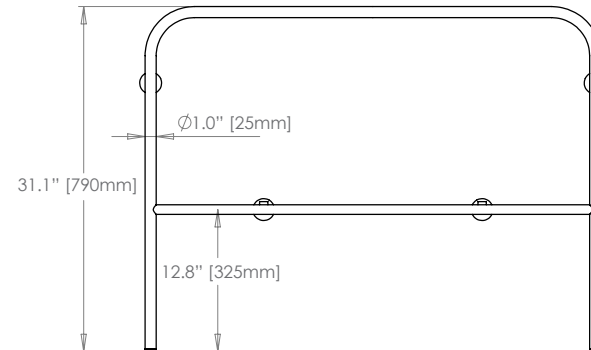
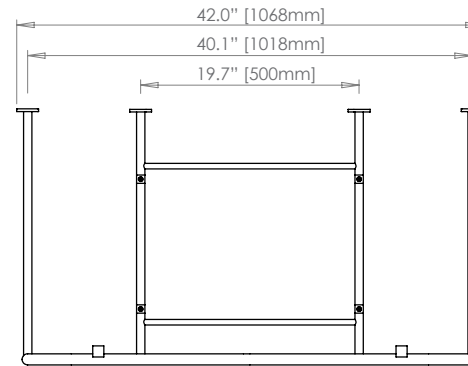


IMPORTANT:

- To ensure this product is installed properly, you must read and follow these guidelines.
- The owner/user of this product must keep this information for future reference.
- Install adequate blocking or position over a stud to properly secure the fixture.
- Inspect this product, upon receiving, to ensure it is the correct model and you have all parts required for proper installation.
- Slab top, fittings and lavatory sold separately.
- This product must be installed by a professional licensed contractor. Be sure your installation conforms to all federal, state, and local codes.
- Take all necessary precautions to ensure that this product is protected during installation.
- Ensure the floor is level and the weight of this product will be adequately supported.
- The use of certain plumber's putty may stain stone or tile surfaces.

TECHNICAL DETAILS:

DETAIL	SPECIFICATION
ADJUSTABLE LEVELERS/FEET	YES
DIAMETER OF LEGS/TUBES	1" [25mm]
PRIMARY MATERIAL	Brass
RECOMMENDED ROUGH-IN SUPPLY HEIGHT	21" [533mm]
RECOMMENDED ROUGH-IN SUPPLY SPREAD	9" [229mm]
RECOMMENDED ROUGH-IN WASTE HEIGHT	19" [483mm]
TOP ATTACHMENT METHOD	Silicone
WEIGHT	18lbs

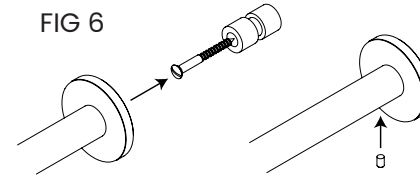
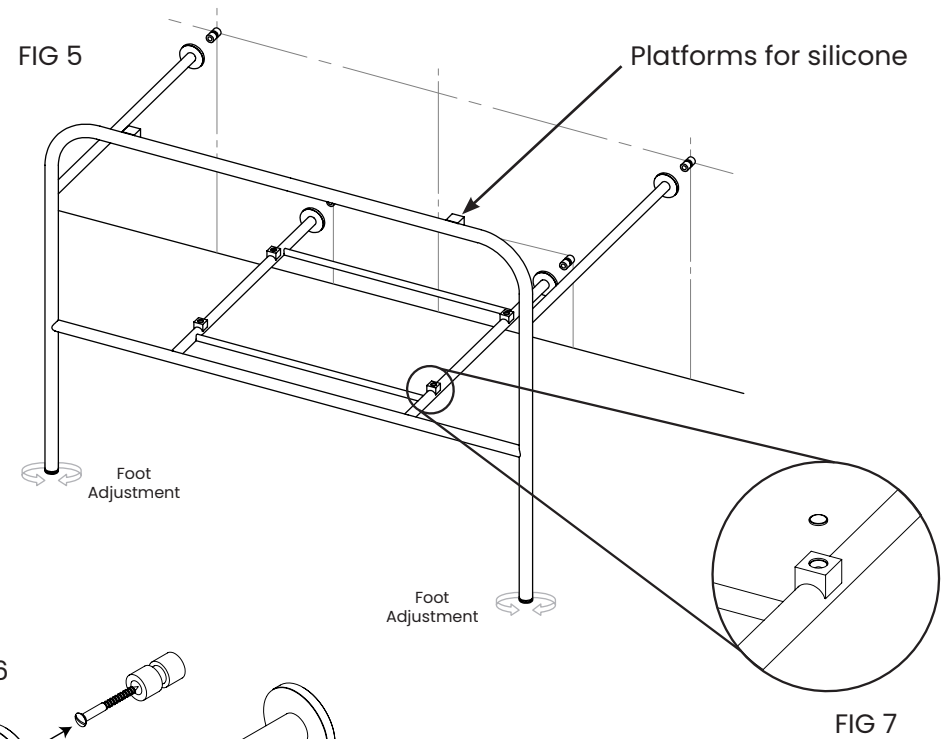
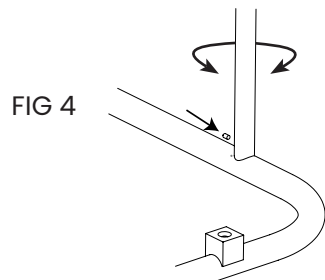
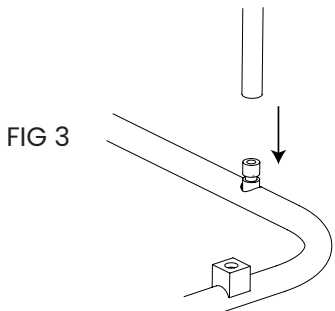
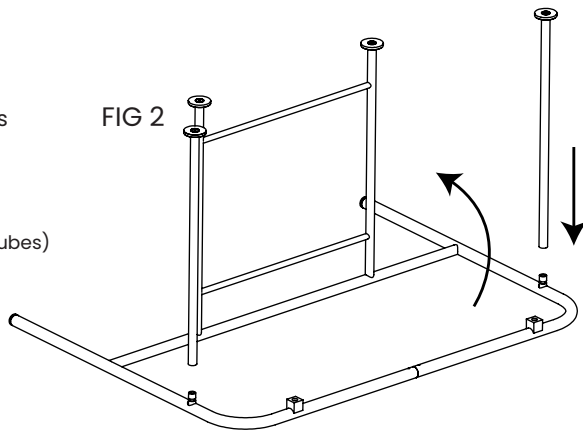
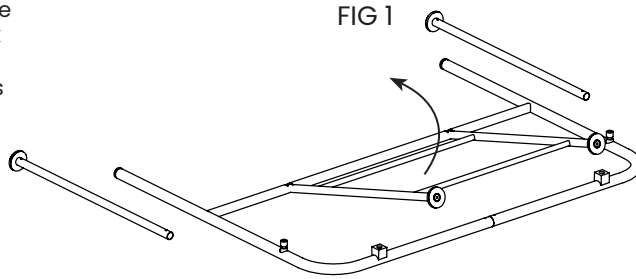


WATERWORKS

INSTALLATION GUIDELINES

Contents ;

- A - 1 x Main Assembly
- B - 2 x Wall Support Tube
- C - 1 x Fixing Screw Pack
- D - (6) Set screw spares
- E - (4) Anchors
- F - (4) Wall Screws
- G - (1) 2mm Allen Key
- H - (4) Silicone bumpers
- I - (4) Wall fixings
(Supplied pre-installed in tubes)



1. Place the parts on a protective sheet to avoid damaging any of the surface finishes during assembly.
2. Insert Wall Support Tubes (B) onto the leg connections as shown (Orientation identified by Left & Right Labels)(fig 3).
3. When fully inserted, rotate the Wall Support Tube to expose the pre-drilled fixing screw hole.
4. Insert the Set Screw (D) and fully tighten using an Allen Key(G).
5. Unfold the bottom support frame.

6. To remove the Wall Fixing Inserts, unscrew the Set Screw (D) using the 2mm Allen Key (G) and remove the inserts (I).
7. Measure and mark the positions for the Wall Screws.
8. Place a level on top of the wash stand legs and adjust the feet until level.
9. Mark the vertical center lines (for waste) equally on either side of the wash stand legs.
10. Using a pencil, mark the position of the bottom rail screw.
11. Using a pencil, mark the position of the top rail.
12. Drill holes into the wall (x 4) using a $\varnothing 7/32''$ drill bit. Push the Anchors (E x 4) into the drilled holes.
13. Using the Wall Screws (F x 4) - secure the Wall Fixing Inserts (I) to the wall (fig 6). See spec drawing for wall fixing positions.
14. Attach the wash stand to the Wall Fixing Inserts (I) and push on fully (fig 5).
15. Secure the side rails to the Wall Fixing Inserts (I) by tightening the Set Screws (D) using the 2mm Allen Key (G).
16. Make any water connections and secure the basin in place. Final leg adjustments can be made to support the basin.
17. Stick the Silicone Bumpers (H) onto the glass supports (Fig 7).
18. Place the glass shelf onto the bottom bars ensuring to center on the four supports platforms.