

Henry

Henry One Hole Bar Faucet with Cross Handle

HKM401



SHOWN IN HENRY ONE HOLE BAR FAUCET WITH CROSS HANDLE | HKM401

TECHNICAL DETAILS

ADA Compliance: Yes
Deck Thickness Maximum: 67 mm
Fittings Hole Diameter: 35 mm
Handle Turn Angle: Quarter Turn
Inlet Connection Size: 3/8"
Inlet Connection Type: Compression Connection
Hoses
Number Of Holes: One Hole
Primary Material: Brass
Restricted Maximum Flow Rate: 4.5 liters/min
Spout Swivel: N
Valve Material: Brass and Ceramic
Water Pressure Maximum: 6.0 bar
Water Pressure Minimum: 1.5 bar
Water Pressure Recommended: 3.0 bar

INSPIRATION

Influenced by the connection of industry and art Henry easily transitions between modern, traditional, utilitarian and classic settings.

CODES & STANDARDS

HKM401X, NSF/ANSI/CAN 61:Q < 1, NSF/ANSI/CAN 372, ASME A112.18.1/CSA B125.1, CEC, DOE, State of MA

PRODUCT FEATURES

Cross Handle

Stocked in Chrome, Nickel, Brass and Dark Nickel

Available in 1.2gpm (4.5L/min) Flow Rate

CERTIFICATIONS



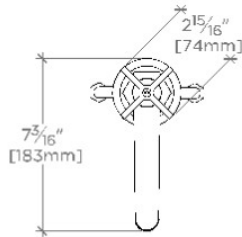
PRODUCT (NOTES)

WATERWORKS

Henry

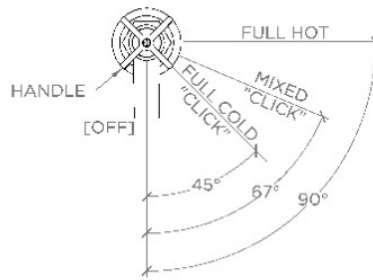
HKM401

Henry One Hole Bar Faucet with Cross Handle



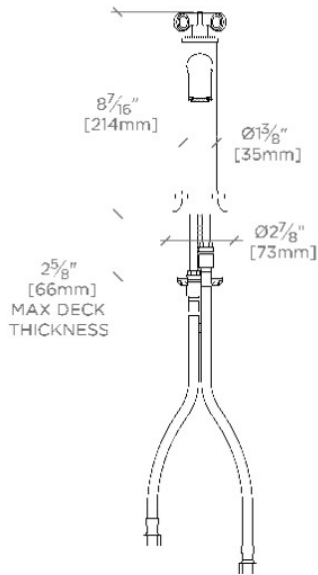
TOP VIEW

SCALE: 1 1/2"=1'-0"



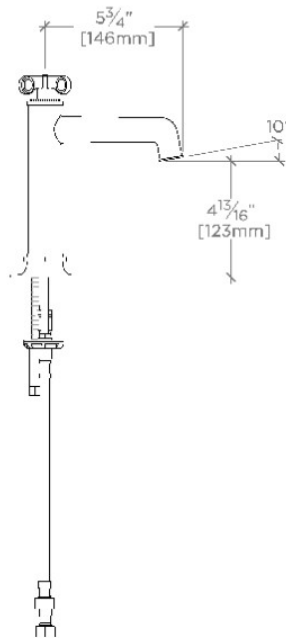
HANDLE OPERATION

SCALE: 1 1/2"=1'-0"



FRONT VIEW

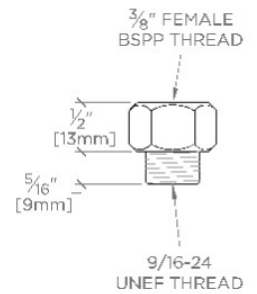
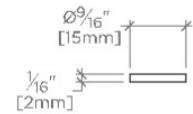
SCALE: 1 1/2"=1'-0"



SIDE VIEW

SCALE: 1 1/2"=1'-0"

NOTE:
ADAPTER AND GASKET
(X2) INCLUDED -
INTERNATIONAL USE
ONLY



NOT TO SCALE