

FLYTE

FLS209

Flyte 10" Rain Showerhead with 22" Wall Mounted 90 Degree Shower Arm



SHOWN IN FLYTE 10" RAIN SHOWERHEAD WITH 22" WALL MOUNTED 90 DEGREE SHOWER ARM | FLS209

TECHNICAL DETAILS

Adjustable Versus Fixed Spray: Fixed
 Fittings Hole Diameter: 1 1/4"
 Flow Restriction Options: 1.5, 1.75, 2.0
 Inlet Connection Size: 1/2"
 Inlet Connection Type: Male NPT
 Pivot: Y
 Primary Material: Brass
 Restricted Maximum Flow Rate: 1.75 gpm
 Water Pressure Maximum: 85.0 psi
 Water Pressure Minimum: 20.0 psi
 Water Pressure Recommended: 45.0 psi

INSPIRATION

Pure Modernism. Like minimalist works of art, the elegant proportions of these light, fluid elements bring sculptural reference to a room.

CODES & STANDARDS

FLS209X, ASME A112.18.1/CSA B125.1, CEC(1.5GPM & 1.75GPM Only), WaterSense(1.5GPM, 1.75GPM & 2.0GPM Only), DOE, State of MA

PRODUCT FEATURES

- Made of Brass
- Features a swivel 10" rain showerhead with easy clean rubber nozzles
- Includes a 22" wall mounted 90 degree shower arm
- Stocked in Brass, Chrome, Nickel and Matte Nickel
- Rain showerhead available in 1.75gpm (6.6L/min) flow rate

CERTIFICATIONS

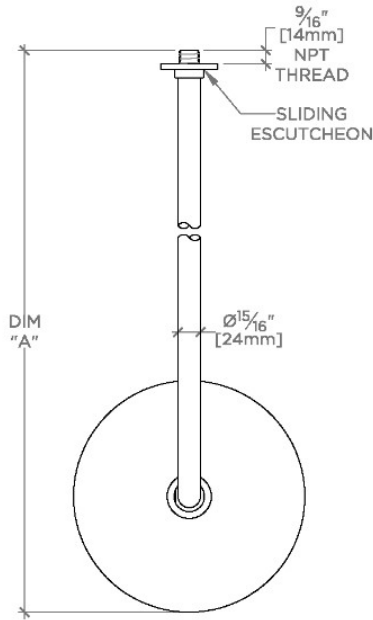


PRODUCT (NOTES)

FLYTE

FLS209

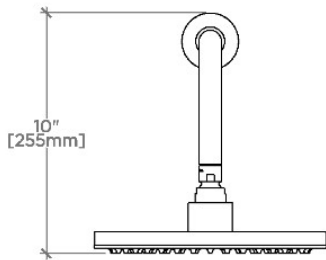
Flyte 10" Rain Showerhead with 22" Wall Mounted 90 Degree Shower Arm



TOP VIEW

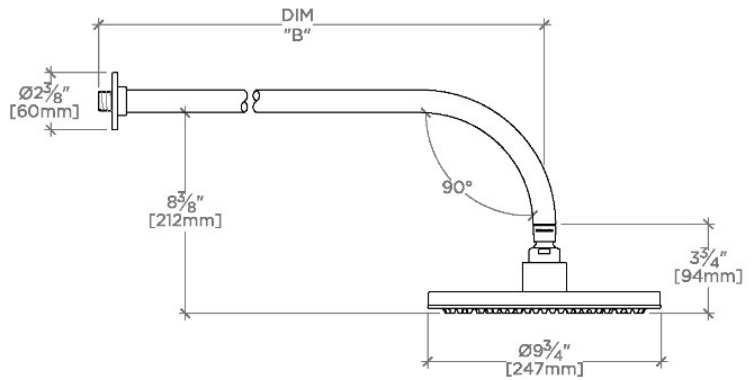
SCALE: 1 1/2"=1'-0"

STYLE NO.	DIM "A"	DIM "B"
FLS208	23 7/16" [595mm]	18 9/16" [472mm]
ISS208		
FLS209	27 3/8" [696mm]	22 9/16" [573mm]
ISS209		



FRONT VIEW

SCALE: 1 1/2"=1'-0"



SIDE VIEW

SCALE: 1 1/2"=1'-0"