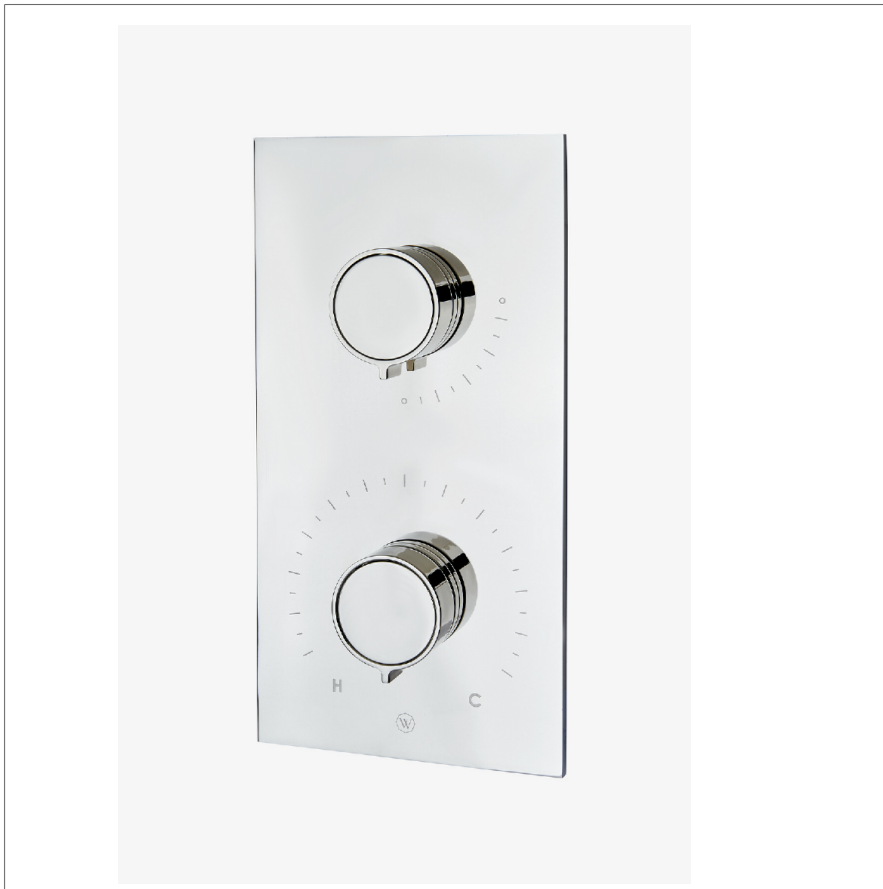


## Bond

BTH330

Bond Solo Series Integrated Thermostatic and Volume Control Trim with Knob Handles



SHOWN IN BOND SOLO SERIES INTEGRATED THERMOSTATIC AND VOLUME CONTROL TRIM WITH KNOB HANDLES | BTH330

### TECHNICAL DETAILS

ADA Compliance: Yes  
 Integrated Diverter: Y  
 Number Of Holes: Two Hole  
 Primary Material: Brass

### INSPIRATION

Bond draws inspiration from the Aesthetic Movement, rare vintage lighters, and modern industrial design. The result is a contemporary collection with a soulful quality that inhabits the full range of modern style, from austere minimalism to warm contemporary.

### CODES & STANDARDS

ASME A112.18.1/CSA B125.1, State of MA

### PRODUCT FEATURES

Knob Handles

Allows bather to adjust temperature of all waterway outlets with a hot limit safety stop providing anti-scald protection

Stocked in Chrome, Nickel, Brass and Dark Nickel

Requires rough valve, sold separately: GUTH71 (USA) or GU71TH (UK/International)

### CERTIFICATIONS



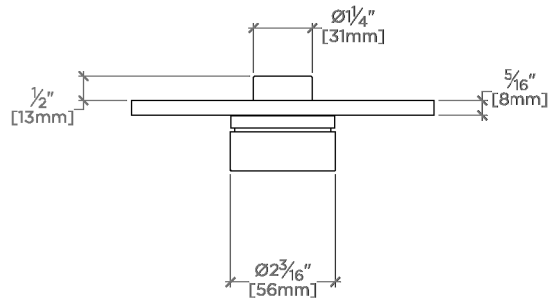
### PRODUCT (NOTES)

# WATERWORKS

## Bond

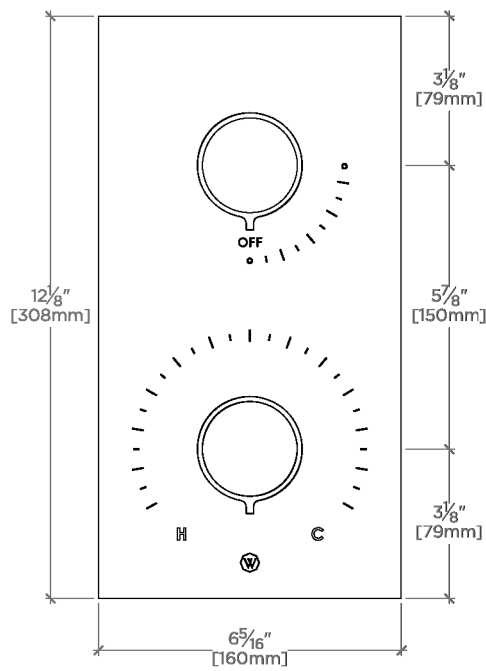
BTH330

Bond Solo Series Integrated Thermostatic and Volume Control Trim with Knob Handles



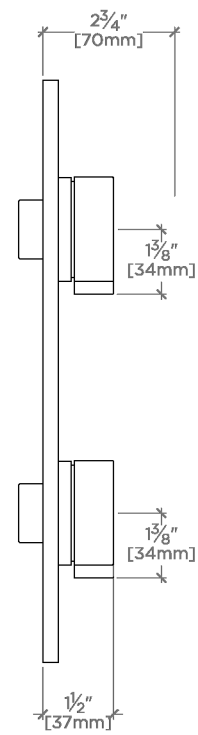
TOP VIEW

SCALE: 3"=1'-0"



FRONT VIEW

SCALE: 3"=1'-0"



SIDE VIEW

SCALE: 3"=1'-0"