

## VIAWORKS

GUTH52

ViaWorks 3/4" Thermostatic Valve with Integrated Two Way Diverter with Shutoff Valve



SHOWN IN VIAWORKS 3/4" THERMOSTATIC VALVE WITH INTEGRATED TWO WAY DIVERTER WITH SHUTOFF VALVE | GUTH52

### TECHNICAL DETAILS

Inlet Connection Size: 3/4"  
Inlet Connection Type: Female NPT  
Outlet Connection Size: 1/2"  
Outlet Connection Type: Male NPT  
Primary Material: Brass  
Valve Material: Bi-Metallic Strip (Thermostatic) and Ceramic (Diverter)  
Water Pressure Maximum: 85.0 psi  
Water Pressure Minimum: 20.0 psi  
Water Pressure Recommended: 45.0 psi

### INSPIRATION

The ViaWorks collection encompasses all Waterworks valves, which are just as impeccably engineered as our legendary fittings and the finest the industry has to offer in terms of performance, features and functionality. ViaWorks valves are engineered with more than three generations of bath and kitchen expertise, each with installers and lifelong service in mind.

### CODES & STANDARDS

### PRODUCT FEATURES

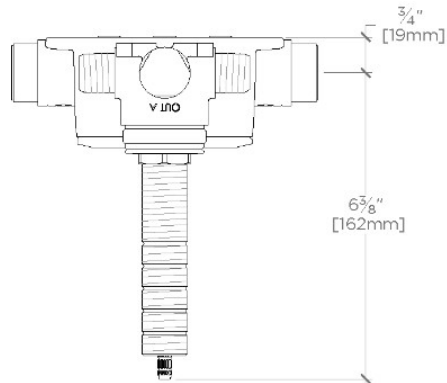
### CERTIFICATIONS

### PRODUCT (NOTES)

## VIAWORKS

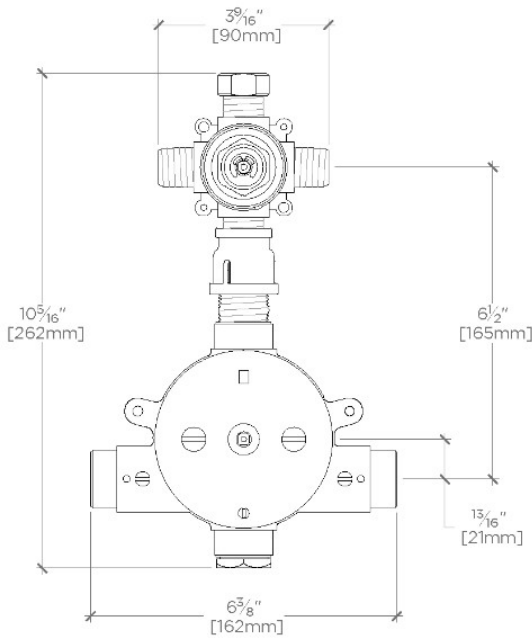
GUTH52

ViaWorks 3/4" Thermostatic Valve with Integrated Two Way Diverter with Shutoff Valve



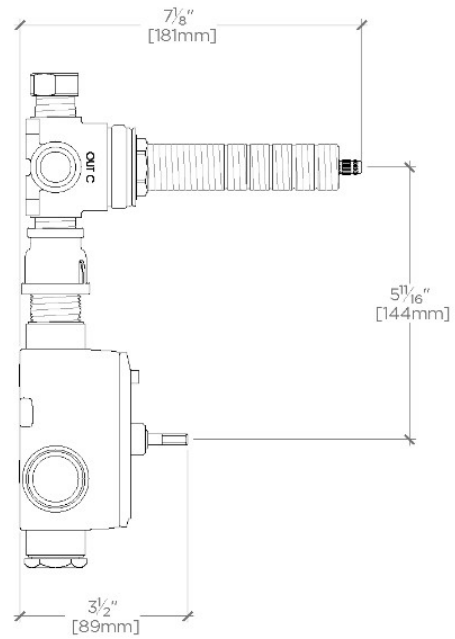
TOP VIEW

SCALE: 3"=1'-0"



FRONT VIEW

SCALE: 3"=1'-0"



SIDE VIEW

SCALE: 3"=1'-0"