

Dash

DSKM50

Dash One Hole High Profile Bar Faucet with Metal Lever Handle



SHOWN IN DASH ONE HOLE HIGH PROFILE BAR FAUCET WITH METAL LEVER HANDLE | DSKM50

TECHNICAL DETAILS

ADA Compliance: Yes
 Deck Thickness Maximum: 35 mm
 Deck Thickness Minimum: 6 mm
 Depth/Width: 183 mm
 Escutcheon Primary Material: Brass
 Fitting Hole Configuration Number: One
 Fittings Hole Diameter: 38 mm
 Flow Restriction Options: 2.0, 1.75
 Handle Turn Angle: Full Turn
 Height: 219 mm
 Inlet Connection Size: 3/8"
 Inlet Connection Type: Compression Connector
 Hoses
 Integrated Diverter: N
 Integrated Spray: N
 Number Of Holes: One Hole
 Primary Material: Brass
 Restricted Maximum Flow Rate: 8.3 liters/min
 Suggested Application: Bar, Kitchen, Laundry
 Valve Material: Ceramic
 Water Pressure Maximum: 6.0 bar
 Water Pressure Minimum: 1.5 bar
 Water Pressure Recommended: 3.0 bar

INSPIRATION

A blend of art and function, Dash pays homage to design elements of the 1930s with pared-down shapes, softened curves and minimal details.

CODES & STANDARDS

DSKM50X, NSF/ANSI/CAN 61:Q < 1, NSF/ANSI/CAN 372, ASME A112.18.1/CSA B125.1, CEC, State of MA

PRODUCT FEATURES

Lever handle.

Progressive Control. When the handle is rotated the flow of cold water begins; continue rotating activates the mixing by adding hot water; at the end of the rotation, only hot water flows. Full rotation is a quarter turn
 Enhanced machining in the handle attachment ensure perfect handle alignment in the off position

Available in 1.75gpm (6.6 L /min)

CERTIFICATIONS

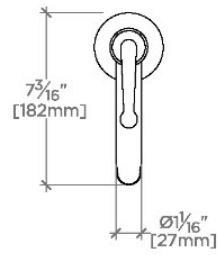


PRODUCT (NOTES)

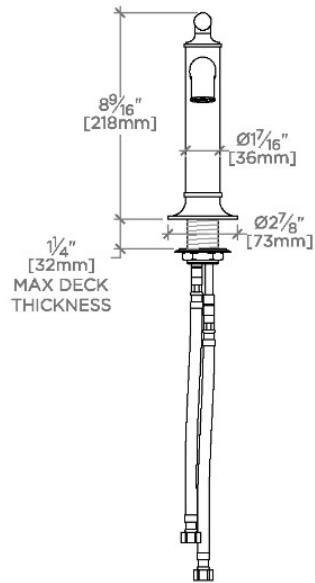
Dash

DSKM50

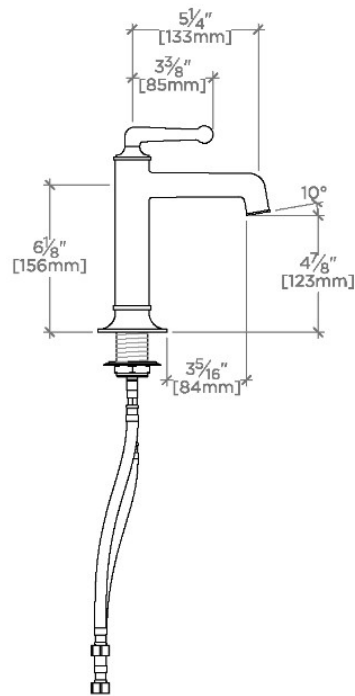
Dash One Hole High Profile Bar Faucet with Metal Lever Handle



TOP VIEW SCALE: 1/2"=1'-0"



FRONT VIEW SCALE: 1/2"=1'-0"



SIDE VIEW SCALE: 1/2"=1'-0"