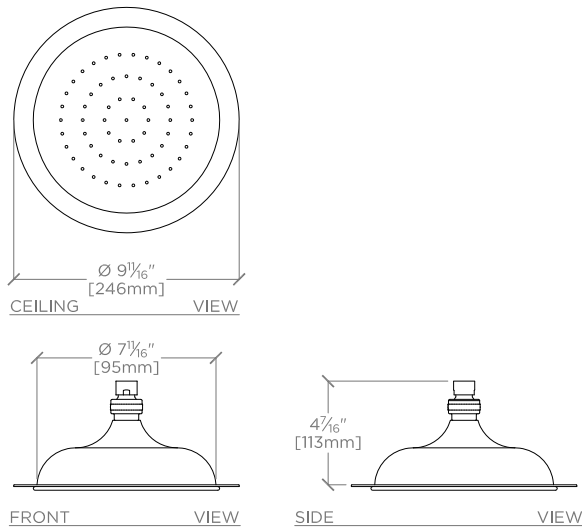


WWSH10

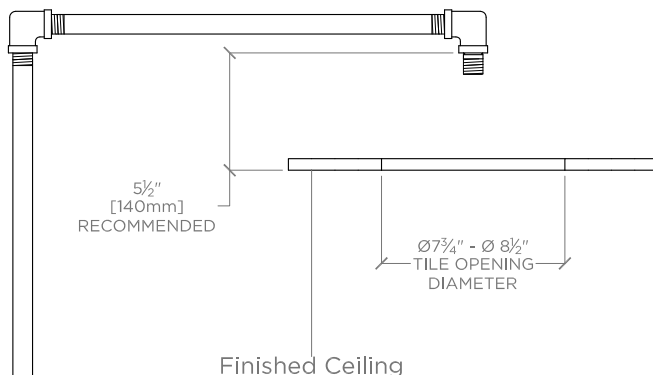


IMPORTANT:

- To ensure this product is installed properly, you must read and follow these guidelines.
- The owner/user of this product must keep this information for future reference.
- Be sure your installation conforms to federal, state, and local codes.
- Refer to the specification and assembly drawings attached. This product is sold partially assembled but shown fully disassembled for illustrative and service purposes only.
- Inspect this product to assure you have all parts required for proper installation.
- Use only a strap wrench or protected/smooth-jaw wrench on any finished surface.
- Do not use putty during this installation.

ROUGH IN:

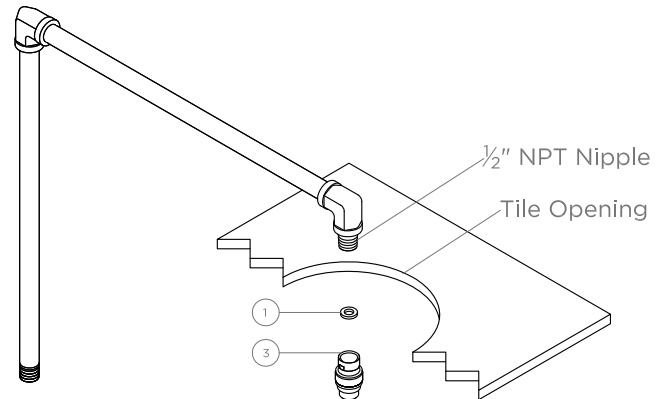
1. Install the water supply line with an elbow and a 1/2" NPT brass nipple at the desired location of the shower rose.
2. Do not strap the pipes down until the proper depth has been set.
3. Making sure the end of the elbow is level with the finished ceiling, measure the distance between the face of the elbow and the finished ceiling. The recommended distance between the face of the elbow and the finished ceiling is 5 1/2". The proper nipple type and size must be determined by the plumber to suite the installation and allow for the recessed shower ring and head to sit flush against the finished ceiling.



4. Once the depth is verified, install the proper backing and strap the pipes down.
5. Turn on the water supply to flush out any dirt and debris from the installation. Then turn the water off.

SHOWER ROSE INSTALLATION:

6. Thread the entire swivel assembly (2-7) onto the nipple, making sure to place a rubber washer (1) in the inlet of the swivel ball joint (3). Note: There is a flow restrictor within the swivel assembly (5).



7. Holding the shower ring against the finished ceiling, thread the shower rose onto the swivel until the the ring is securely held against the ceiling.

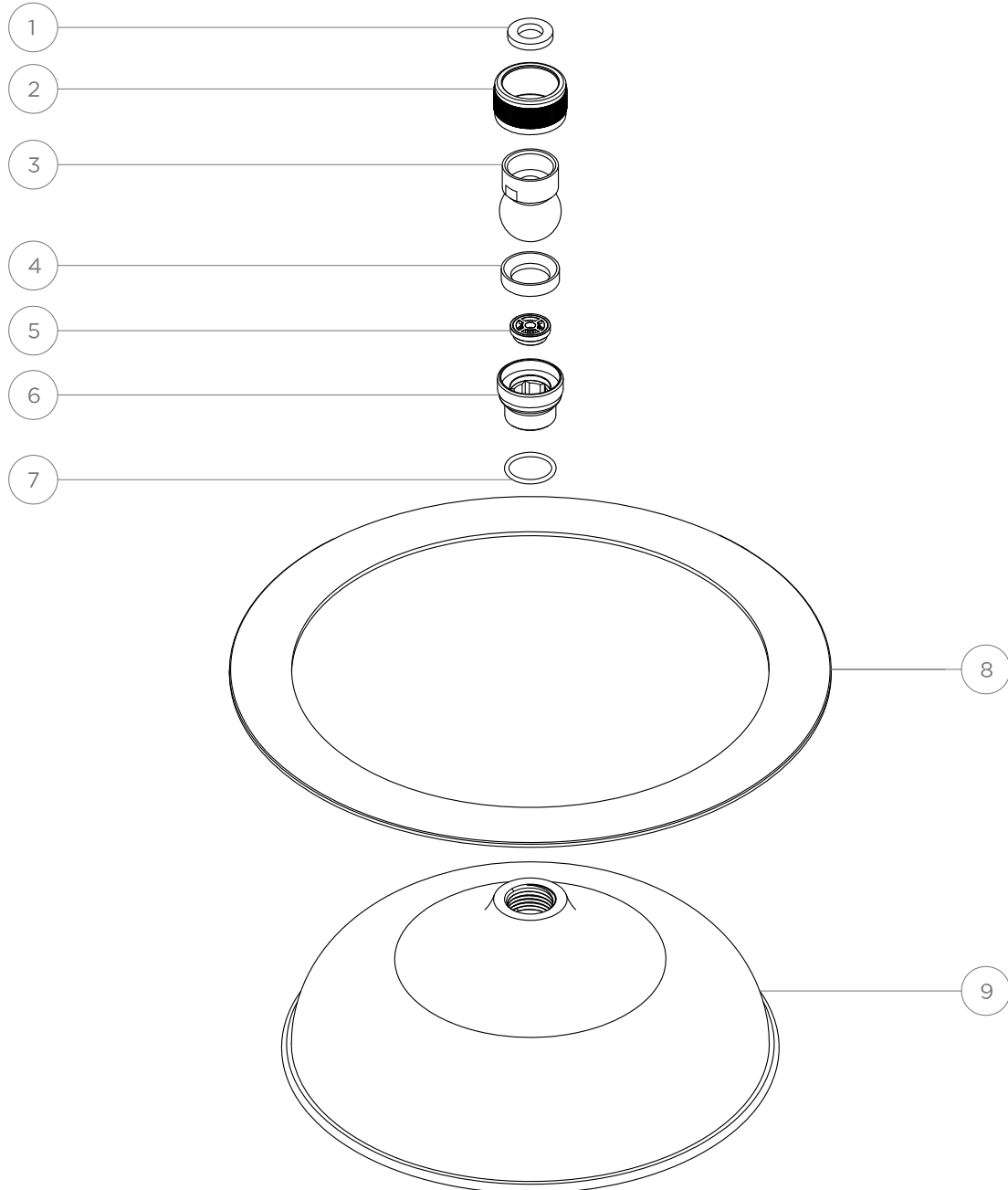
INSPECT THE INSTALLATION:

8. Turn on the water supply and check for leaks.
- If further assistance is required, please contact Product Support at 1-800-927-2120 (8am- 7pm EST).

These guidelines have been prepared for the professional contractor to aid in the installation of: UNIVERSAL CEILING MOUNTED RECESSED 9³/₄" SHOWER ROSE (WWSH10) All dimensions are based on origin specification and are subject to change and variation. Please consult your Design Associate for current specifications.

WATERWORKS

ITEM NO.	DESCRIPTION	QTY.
1	Washer, 10.5mm ID x 18.5mm OD x 3mm Thickness, Rubber	1
2	Swivel Socket	1
3	Swivel Ball Joint	1
4	Formed Gasket	1
5	Flow Restrictor	1
6	Swivel Coupler	1
7	O-Ring, 17.5mm ID x 1.8mm Width, Rubber	1
8	Ring, Easton Recessed Shower Head	1
9	Shower Rose, 8", Easton	1



These guidelines have been prepared for the professional contractor to aid in the installation of:
UNIVERSAL CEILING MOUNTED RECESSED 9 3/4" SHOWER ROSE (WWSH10)
 All dimensions are based on origin specification and are subject to change and variation. Please consult your Design Associate for current specifications.

WATERWORKS