

HENRY CHRONOS

CNS381

Henry Chronos 8" Rain Showerhead with 12" Ceiling Mounted Shower Arm



SHOWN IN HENRY CHRONOS 8" RAIN SHOWERHEAD WITH 12" CEILING MOUNTED SHOWER ARM | CNS381

TECHNICAL DETAILS

Fittings Hole Diameter: 1 3/8"
Flow Restriction Options: 1.5, 1.75, 2.0
Inlet Connection Size: 1/2"
Inlet Connection Type: Male NPT
Pivot: Y
Restricted Maximum Flow Rate: 1.75 gpm
Water Pressure Maximum: 85.0 psi
Water Pressure Minimum: 20.0 psi
Water Pressure Recommended: 45.0 psi

INSPIRATION

Inspired by dive watches, Henry Chronos radiates design prowess and technical precision. Chronos retains the design integrity of our original, iconic Henry collection, while imbuing it with modern details and exquisite materials.

CODES & STANDARDS

CNS381X, ASME A112.18.1/CSA B125.1, CEC(1.5GPM & 1.75GPM Only), WaterSense(1.5GPM, 1.75GPM & 2.0GPM Only), DOE, State of MA

PRODUCT FEATURES

Made of Brass

Features a swivel 8" rain showerhead with easy clean rubber nozzles

Includes a 18" wall mounted 90 degree shower arm

Stocked in Brass, Chrome and Nickel

Rain showerhead available in 1.75gpm (6.6L/min) flow rate

CERTIFICATIONS

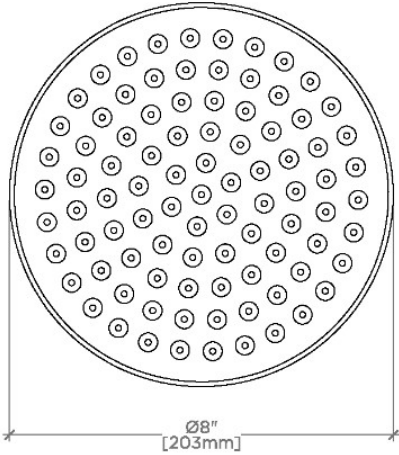


PRODUCT (NOTES)

HENRY CHRONOS

CNS381

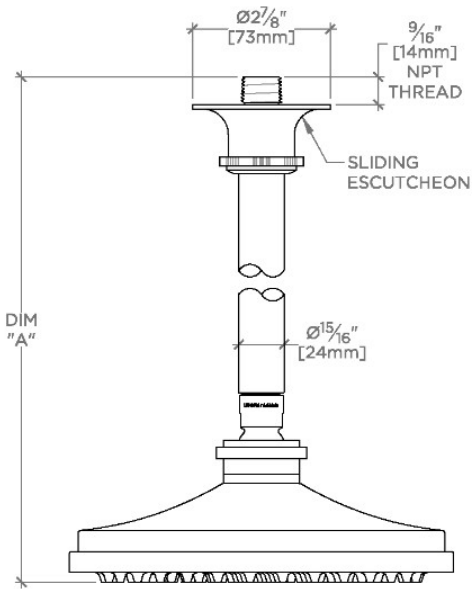
Henry Chronos 8" Rain Showerhead with 12" Ceiling Mounted Shower Arm



CEILING VIEW

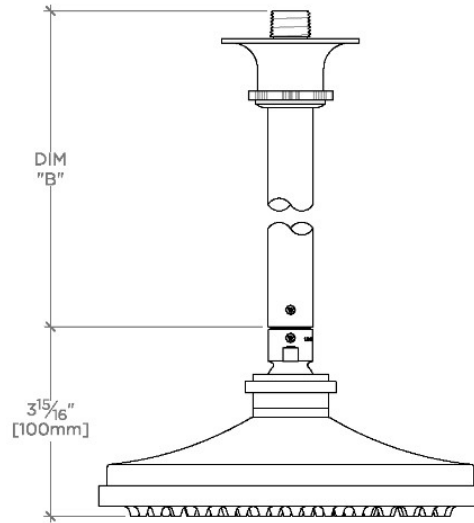
SCALE: 3"=1'-0"

| STYLE NO. | DIM "A" | DIM "B" |
|-----------|-----------------|--|
| CNS380 | 10½" [267mm] | 6 ⁹ / ₁₆ " [167mm] |
| CNS381 | 16½" [419mm] | 12 ⁹ / ₁₆ " [319mm] |



FRONT VIEW

SCALE: 3"=1'-0"



SIDE VIEW

SCALE: 3"=1'-0"