

Ludlow

LVS209

Ludlow Volta 10" Rain Showerhead with 22" Wall Mounted 90 Degree Shower Arm



SHOWN IN LUDLOW VOLTA 10" RAIN SHOWERHEAD WITH 22" WALL MOUNTED 90 DEGREE SHOWER ARM | LVS209

TECHNICAL DETAILS

Adjustable Versus Fixed Spray: Fixed
Fittings Hole Diameter: 32 mm
Flow Restriction Options: 1.5, 1.75, 2.0
Inlet Connection Size: 1/2"
Inlet Connection Type: Male NPT
Pivot: Y
Primary Material: Brass
Restricted Maximum Flow Rate: 6.6 liters/min
Water Pressure Maximum: 6.0 bar
Water Pressure Minimum: 1.5 bar
Water Pressure Recommended: 3.0 bar

INSPIRATION

Our fresh take on American industrial design comes in three styles, each of them clean-lined, and distinct to Waterworks.

CODES & STANDARDS

LVS209X, ASME A112.18.1/CSA B125.1, CEC(1.5GPM & 1.75GPM Only), WaterSense(1.5GPM, 1.75GPM & 2.0GPM Only), DOE, State of MA

PRODUCT FEATURES

Made of Brass

Features a swivel 10" rain showerhead with easy clean rubber nozzles

Includes a 22" wall mounted 90 degree shower arm

Stocked in Brass, Chrome, Nickel and Matte Nickel

Rain showerhead available in 1.75gpm (6.6L/min) flow rate

CERTIFICATIONS

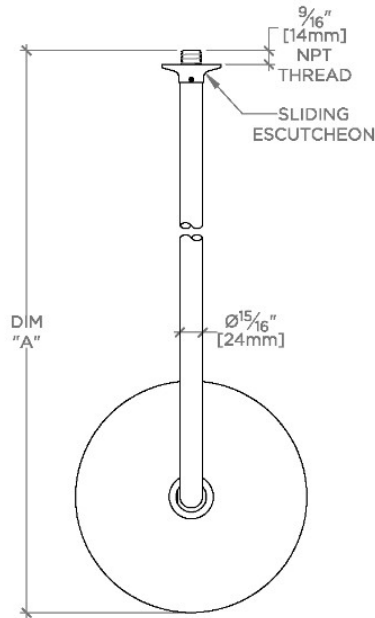


PRODUCT (NOTES)

Ludlow

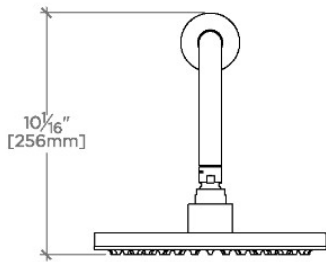
LVS209

Ludlow Volta 10" Rain Showerhead with 22" Wall Mounted
90 Degree Shower Arm

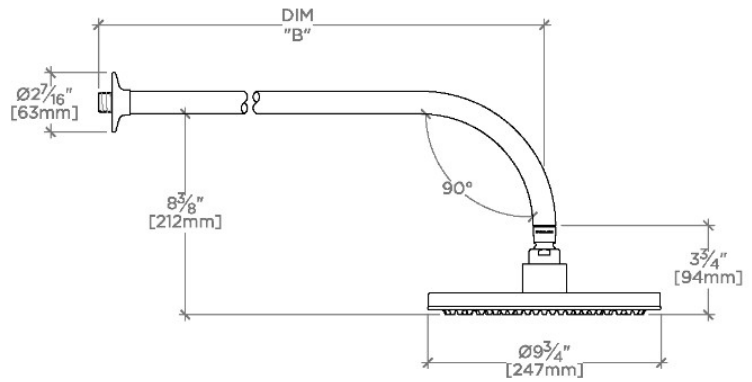


TOP VIEW SCALE: 1½"=1'-0"

STYLE NO.	DIM "A"	DIM "B"
LVS208	23 ⁷ / ₁₆ " [595mm]	18 ⁹ / ₁₆ " [472mm]
PTS208		
LVS209	27 ³ / ₈ " [696mm]	22 ⁹ / ₁₆ " [573mm]
PTS209		



FRONT VIEW SCALE: 1½"=1'-0"



SIDE VIEW SCALE: 1½"=1'-0"