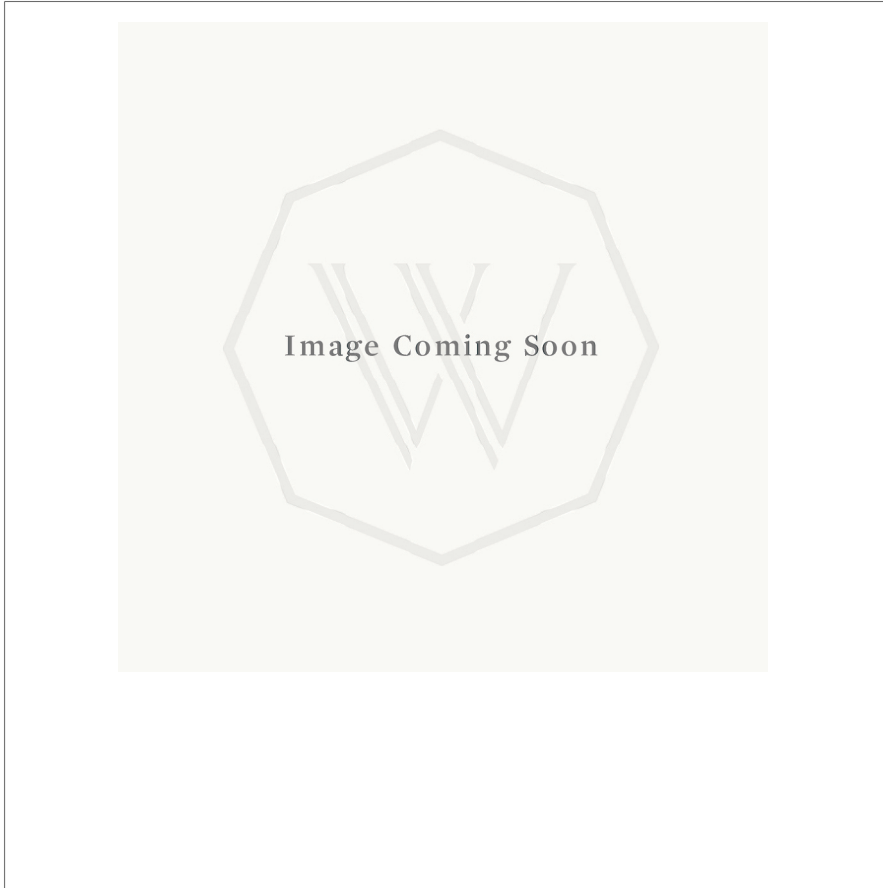


ViaWorks

GU50TH

ViaWorks 3/4" Thermostatic Valve with Integrated Three Way Diverter with Shutoff Valve



SHOWN IN VIAWORKS 3/4" THERMOSTATIC VALVE WITH INTEGRATED THREE WAY DIVERTER WITH SHUTOFF VALVE | GU50TH

TECHNICAL DETAILS

Inlet Connection Size: 3/4"
Inlet Connection Type: Female G/BSPP
Outlet Connection Size: 1/2"
Outlet Connection Type: Female G/BSPP
Primary Material: Brass
Valve Material: Bi-metal Strip/Ceramic
Water Pressure Maximum: 6.0 bar
Water Pressure Minimum: 1.5 bar
Water Pressure Recommended: 3.0 bar

INSPIRATION

The ViaWorks collection encompasses all Waterworks valves, which are just as impeccably engineered as our legendary fittings and the finest the industry has to offer in terms of performance, features and functionality. ViaWorks valves are engineered with more than three generations of bath and kitchen expertise, each with installers and lifelong service in mind.

CODES & STANDARDS

PRODUCT FEATURES

Integrated anti-scald protection.

3/4" inlet connections with 1/2" top outlet connections and optional 3/4" bottom outlet connection.

16 gpm (gallons per minute) unrestricted maximum flow at 60 psi

Flows water to up to six shower components simultaneously. Unique flush plate to clear construction debris before thermostatic cartridge is installed.

Made in Europe of Brass Construction

CERTIFICATIONS

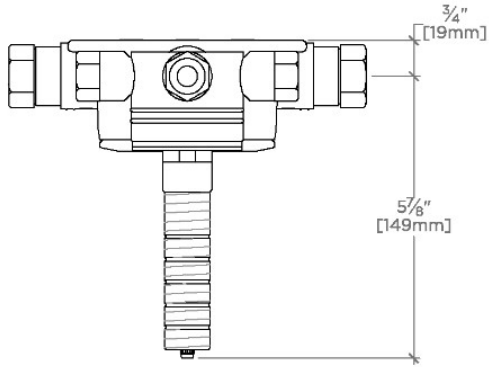
PRODUCT (NOTES)

WATERWORKS

ViaWorks

GU50TH

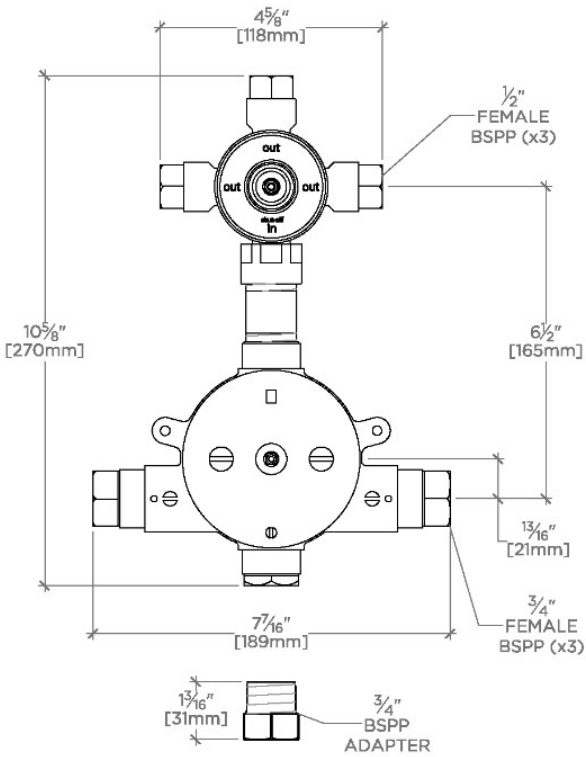
ViaWorks 3/4" Thermostatic Valve with Integrated Three Way Diverter with Shutoff Valve



TOP VIEW

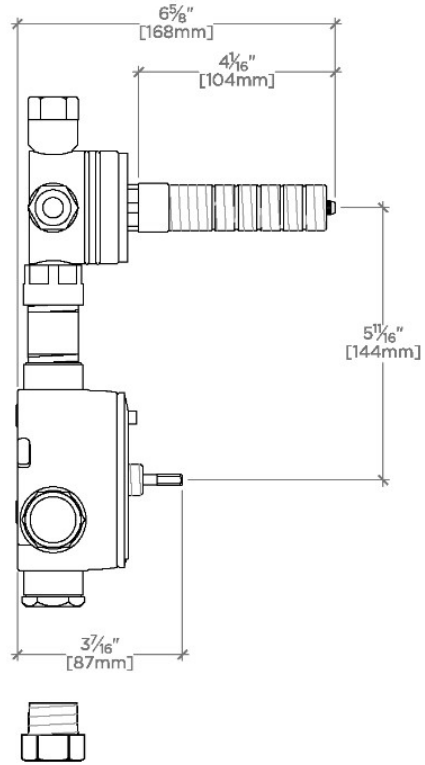
SCALE: 3"=1'-0"

ADAPTER(S) PACKAGED SEPARATELY		
ADAPTER	DESCRIPTION	QTY
UNUK01	3/4" Male NPT x 3/4" Female BSP	3
UNUK02	1/2" Male NPT x 1/2" Female BSP	3



FRONT VIEW

SCALE: 3"=1'-0"



SIDE VIEW

SCALE: 3"=1'-0"