

Foro

FRXT70

Foro Floor Mounted Exposed Tub Filler with Metal Handshower and Lever Handles



SHOWN IN FORO FLOOR MOUNTED EXPOSED TUB FILLER WITH METAL HANDSHOWER AND LEVER HANDLES | FRXT70

TECHNICAL DETAILS

ADA Compliance: No
Adjustable Versus Fixed Spray: Fixed
Depth/Width: 305 mm
Fittings Hole Diameter: 32 mm
Handle Spread Maximum: 184 mm
Handle Spread Minimum: 184 mm
Handle Turn Angle: Quarter Turn
Handshower Spray Hose Length: 1.5 m
Height: 1102 mm
Inlet Connection Size: 3/4"
Inlet Connection Type: Sweat
Inlet Supply Spread Maximum: 184 mm
Inlet Supply Spread Minimum: 184 mm
Length: 337 mm
Valve Material: Ceramic
Water Pressure Maximum: 6.0 bar
Water Pressure Minimum: 1.5 bar
Water Pressure Recommended: 3.0 bar

INSPIRATION

A mix of historical references, including finely etched vintage silver, come together in this twist on classical design - a wonderfully elegant formal statement.

CODES & STANDARDS

CEC, State of MA

PRODUCT FEATURES

Metal lever handles

Diverter handle allows bather to move water from spout to handshower. Handshower features 3" head with rubber nozzles

Features signature engraving detail

Stocked in Nickel and Unlacquered Brass

Unrestricted flow for tub spout. Handshower available in 1.75gpm (6.6L/min) flow rate

CERTIFICATIONS

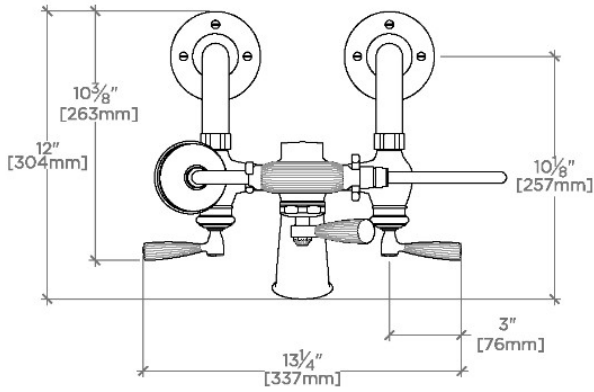
PRODUCT (NOTES)

WATERWORKS

Foro

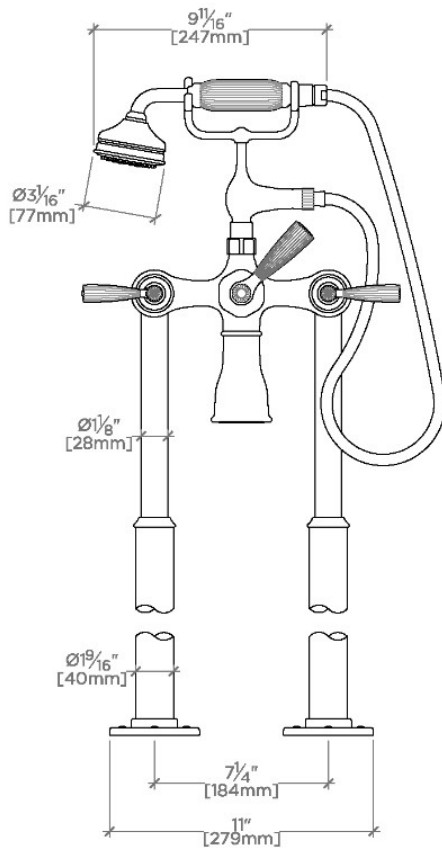
FRXT70

Foro Floor Mounted Exposed Tub Filler with Metal Handshower and Lever Handles



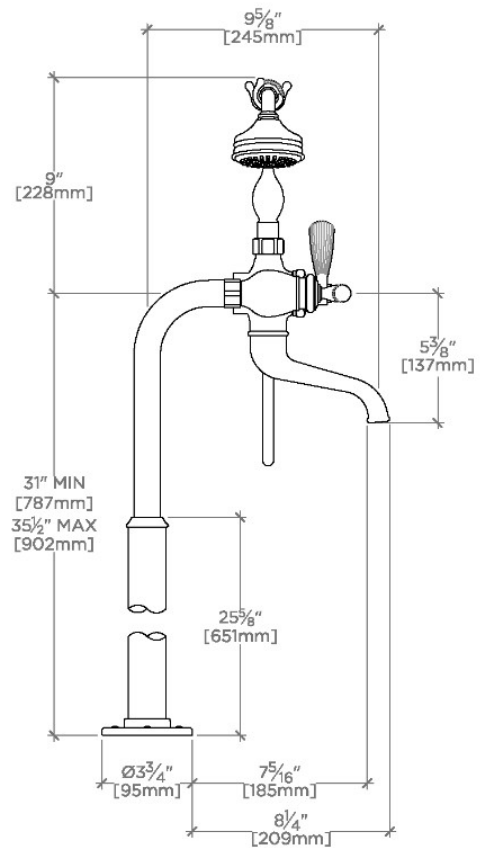
TOP VIEW

SCALE: 1/2"=1'-0"



FRONT VIEW

SCALE: 1/2"=1'-0"



SIDE VIEW

SCALE: 1/2"=1'-0"