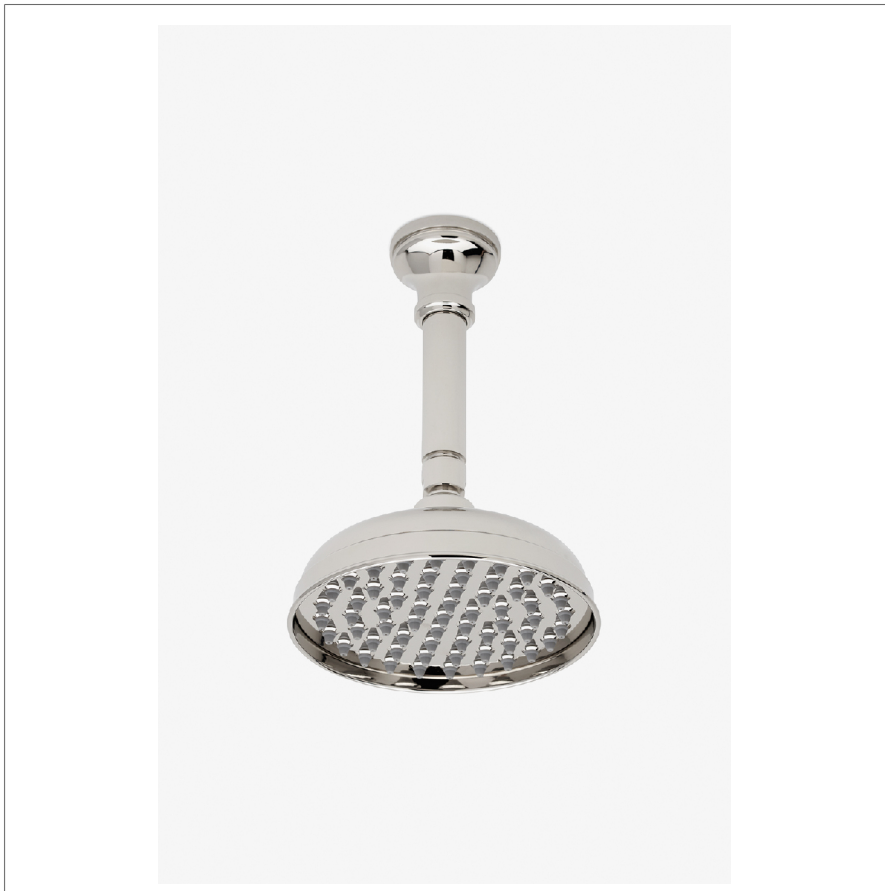


## ETOILE

ETS160

Etoile 6" Showerhead with 6" Ceiling Mounted Shower Arm



SHOWN IN ETOILE 6" SHOWERHEAD WITH 6" CEILING MOUNTED SHOWER ARM | ETS160

### TECHNICAL DETAILS

Adjustable Versus Fixed Spray: Fixed  
 Fittings Hole Diameter: 1 1/4"  
 Flow Restriction Options: 1.5, 1.75, 2.0  
 Inlet Connection Size: 1/2"  
 Inlet Connection Type: Male NPT  
 Pivot: Y  
 Primary Material: Brass  
 Restricted Maximum Flow Rate: 1.75 gpm  
 Water Pressure Maximum: 85.0 psi  
 Water Pressure Minimum: 20.0 psi  
 Water Pressure Recommended: 45.0 psi

### INSPIRATION

Defined elegance. Etoile has a European sophistication with a timeless sense of chic.

### CODES & STANDARDS

ETS160X, ASME A112.18.1/CSA B125.1, CEC(1.5GPM & 1.75GPM Only), WaterSense(1.5GPM, 1.75GPM & 2.0GPM Only), DOE, State of MA

### PRODUCT FEATURES

- Made of Brass
- Features a swivel 6" showerhead with easy clean rubber nozzles
- Includes a 6" ceiling mounted shower arm
- Stocked in Brass, Chrome, Nickel and Matte Nickel
- Showerhead available in 1.75gpm (6.6L/min) flow rate

### CERTIFICATIONS



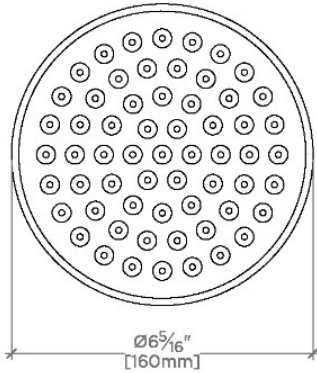
### PRODUCT (NOTES)

# WATERWORKS

## ETOILE

## ETS160

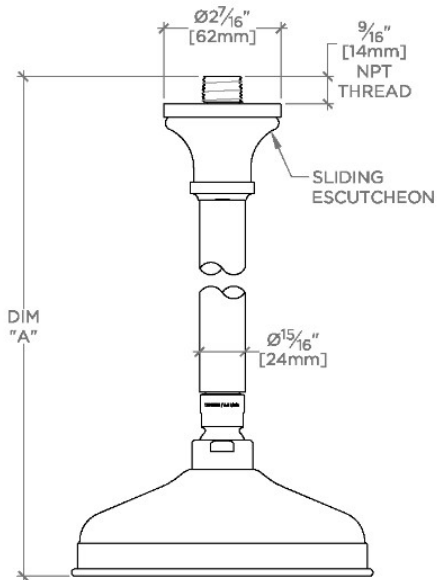
Etoile 6" Showerhead with 6" Ceiling Mounted Shower Arm



CEILING VIEW

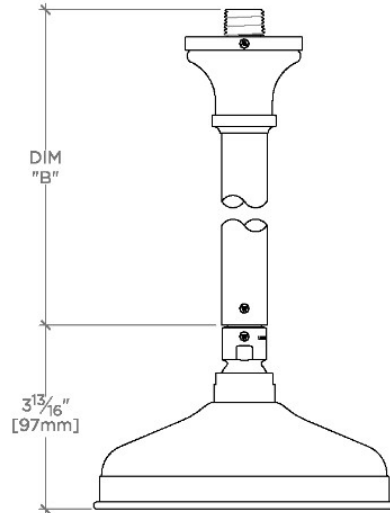
SCALE: 3"=1'-0"

STYLE NO.	DIM "A"	DIM "B"
ETS160	10 <sup>3</sup> / <sub>8</sub> " [264mm]	6 <sup>9</sup> / <sub>16</sub> " [167mm]
FRS160		
JUS160		
ETS161	16 <sup>3</sup> / <sub>8</sub> " [417mm]	12 <sup>9</sup> / <sub>16</sub> " [319mm]
FRS161		
JUS161		



FRONT VIEW

SCALE: 3"=1'-0"



SIDE VIEW

SCALE: 3"=1'-0"