



SHOWN IN VIAWORKS 1/2" PRESSURE BALANCE VALVE | GU81PB

TECHNICAL DETAILS

ADA Compliance: Yes
 Depth/Width: 146 mm
 Fittings Hole Diameter: 89 mm
 Height: 95 mm
 Inlet Connection Size: 1/2"
 Inlet Connection Type: Sweat
 Integrated Diverter: N
 Length: 121 mm
 Outlet Connection Size: 1/2"
 Outlet Connection Type: Sweat Shower/ Sweat Tub
 Primary Material: Brass
 Safety Warnings: The risk of scalding exists until the installer has properly set the temperature high limit stop screw.
 Suggested Application: Bath
 Valve Material: Stainless Steel/ Rubber
 Water Pressure Maximum: 6.0 bar
 Water Pressure Minimum: 1.5 bar
 Water Pressure Recommended: 3.0 bar

INSPIRATION

The ViaWorks collection encompasses all Waterworks valves, which are just as impeccably engineered as our legendary fittings and the finest the industry has to offer in terms of performance, features and functionality. ViaWorks valves are engineered with more than three generations of bath and kitchen expertise, each with installers and lifelong service in mind.

CODES & STANDARDS

PRODUCT FEATURES

Integrated anti-scald protection.

1/2" sweat inlet and 1/2" sweat shower/NPT tub outlet.

6 gpm (gallons per minute) unrestricted maximum flow at 60 psi

Do not use the bottom (tub) outlet of this product for any fittings with restricted flow, such as a handshower or body spray. The back pressure created would cause water to flow out through the top (shower) outlet.

Single handle ON/OFF with temperature control

CERTIFICATIONS

PRODUCT (NOTES)

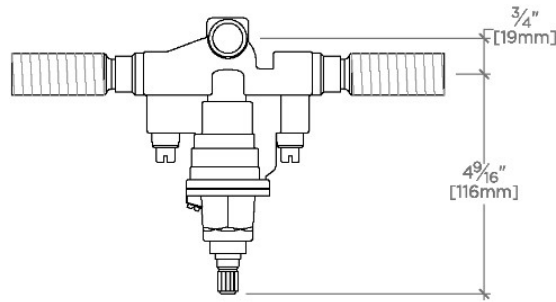
WATERWORKS

ViaWorks

GU81PB

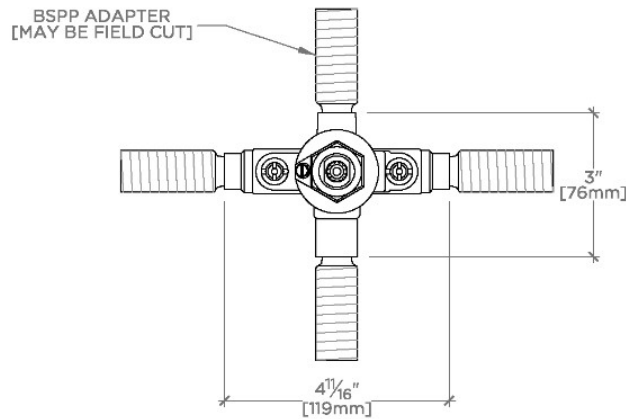
ViaWorks 1/2" Pressure Balance Valve

ADAPTER(S) PACKAGED SEPARATELY		
ADAPTER	DESCRIPTION	QTY
UNUK09	1/2" Pipe x 1/2" Male BSPP Adapter	4



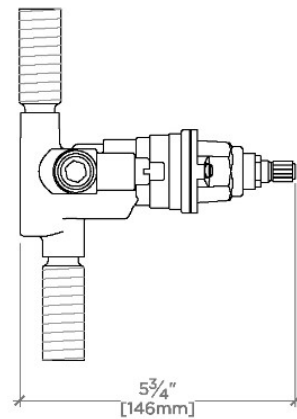
TOP VIEW

SCALE: 3"=1'-0"



FRONT VIEW

SCALE: 3"=1'-0"



SIDE VIEW

SCALE: 3"=1'-0"