

## Easton

EAXT33

Easton Vintage Exposed Tub Filler, White Porcelain Handshower and Lever Diverter with Metal Indices



SHOWN IN EASTON VINTAGE EXPOSED TUB FILLER, WHITE PORCELAIN HANDSHOWER AND LEVER DIVERTER WITH METAL INDICES | EAXT33

### TECHNICAL DETAILS

ADA Compliance: No  
 Adjustable Versus Fixed Spray: Fixed Spray  
 Depth/Width: 171 mm  
 Flow Restriction Options: 1.75  
 Handle Spread Maximum: 184 mm  
 Handle Spread Minimum: 184 mm  
 Handle Turn Angle: Quarter Turn  
 Handshower Spray Hose Length: 1.5 m  
 Height: 394 mm  
 Index Color Finish And Material: Metal  
 Inlet Connection Size: 3/4"  
 Inlet Connection Type: Female Union Nut  
 Inlet Supply Spread Maximum: 184 mm  
 Inlet Supply Spread Minimum: 184 mm  
 Installation Type: Wall or deck mounted  
 Integrated Diverter: N  
 Length: 279 mm  
 Primary Material: Brass  
 Restricted Maximum Flow Rate: 6.6 liters/min  
 Suggested Application: Bath  
 Water Pressure Maximum: 5.0 bar  
 Water Pressure Minimum: 1.5 bar  
 Water Pressure Recommended: 3.0 bar

### INSPIRATION

Drawing on Edwardian style, Easton is the most extensive Waterworks family; a range of moods and a selection of products from fittings to furniture.

### CODES & STANDARDS

EAXT33X, ASME A112.18.1/CSA B125.1, Waterworks Handshowers use check valves compliant to ASME A112.18.3 for backflow protection, CEC, DOE, State of MA

### PRODUCT FEATURES

Easton is our most comprehensive fittings family.

Easton has a clean-lined utilitarian profile, with a slightly elongated spout.

Unions sold separately - UNUN60 (Floor Union), EAUN16 (Deck Union) and EAUN18 (Wall Union)

Unrestricted flow for tub spout. Handshower available in 1.75gpm (6.6L/min) flow rate

### CERTIFICATIONS

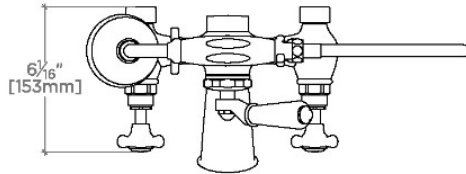


### PRODUCT (NOTES)

## Easton

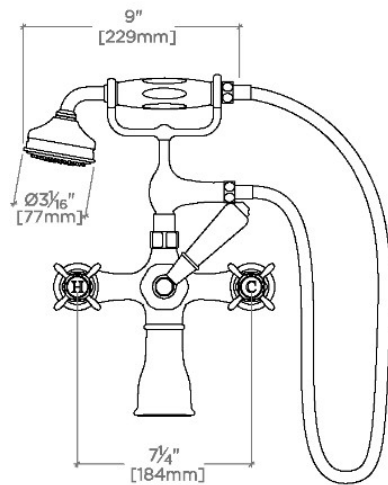
EAXT33

Easton Vintage Exposed Tub Filler, White Porcelain  
Handshower and Lever Diverter with Metal Indices



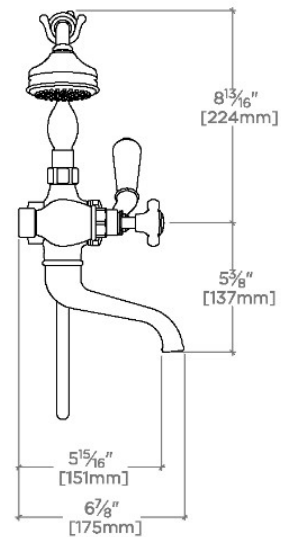
TOP VIEW

SCALE: 1 1/2"=1'-0"



FRONT VIEW

SCALE: 1 1/2"=1'-0"



SIDE VIEW

SCALE: 1 1/2"=1'-0"