

FORO

FRXT40

Foro Deck Mounted Exposed Tub Filler with Metal Handshower and Cross Handles



SHOWN IN FORO DECK MOUNTED EXPOSED TUB FILLER WITH METAL HANDSHOWER AND CROSS HANDLES | FRXT40

TECHNICAL DETAILS

ADA Compliance: No
 Adjustable Versus Fixed Spray: Fixed
 Depth/Width: 11 1/4"
 Fittings Hole Diameter: 1 1/4"
 Handle Spread Maximum: 7 1/4"
 Handle Spread Minimum: 7 1/4"
 Handle Turn Angle: Quarter Turn
 Handshower Spray Hose Length: 59"
 Height: 20 1/4"
 Inlet Connection Size: 3/4"
 Inlet Connection Type: Male NPT
 Inlet Supply Spread Maximum: 7 1/4"
 Inlet Supply Spread Minimum: 7 1/4"
 Length: 10 3/8"
 Valve Material: Ceramic
 Water Pressure Maximum: 85.0 psi
 Water Pressure Minimum: 20.0 psi
 Water Pressure Recommended: 45.0 psi

INSPIRATION

A mix of historical references, including finely etched vintage silver, come together in this twist on classical design - a wonderfully elegant formal statement.

CODES & STANDARDS

CEC, State of MA

PRODUCT FEATURES

Metal cross handles

Diverter handle allows bather to move water from spout to handshower. Handshower features 3" head with rubber nozzles

Features signature engraving detail

Stocked in Nickel and Unlacquered Brass

Unrestricted flow for tub spout. Handshower available in 1.75gpm (6.6L/min) flow rate

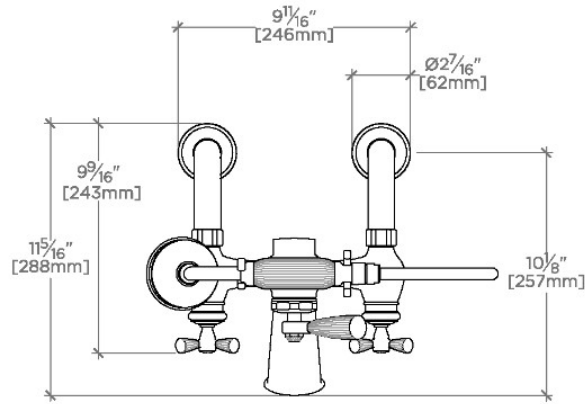
CERTIFICATIONS

PRODUCT (NOTES)

FORO

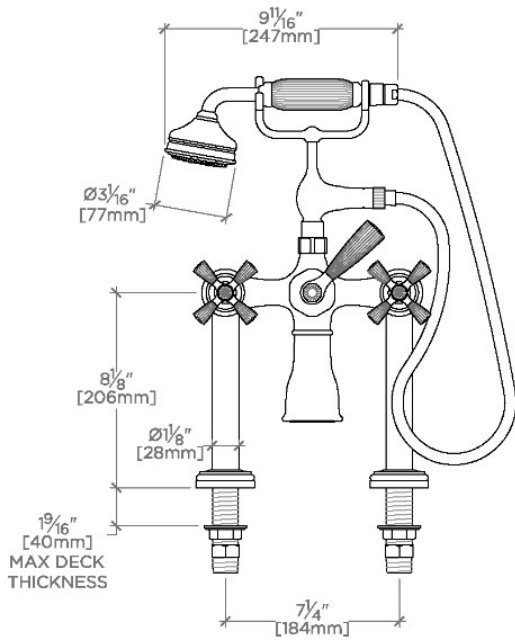
FRXT40

Foro Deck Mounted Exposed Tub Filler with Metal Handshower and Cross Handles



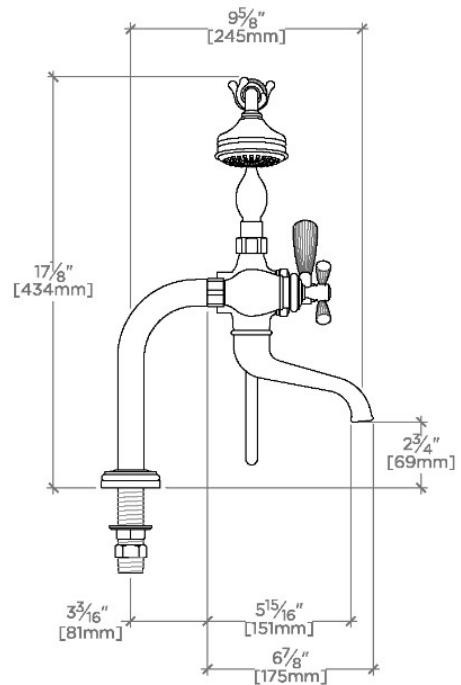
TOP VIEW

SCALE: 1/2"=1'-0"



FRONT VIEW

SCALE: 1/2"=1'-0"



SIDE VIEW

SCALE: 1/2"=1'-0"