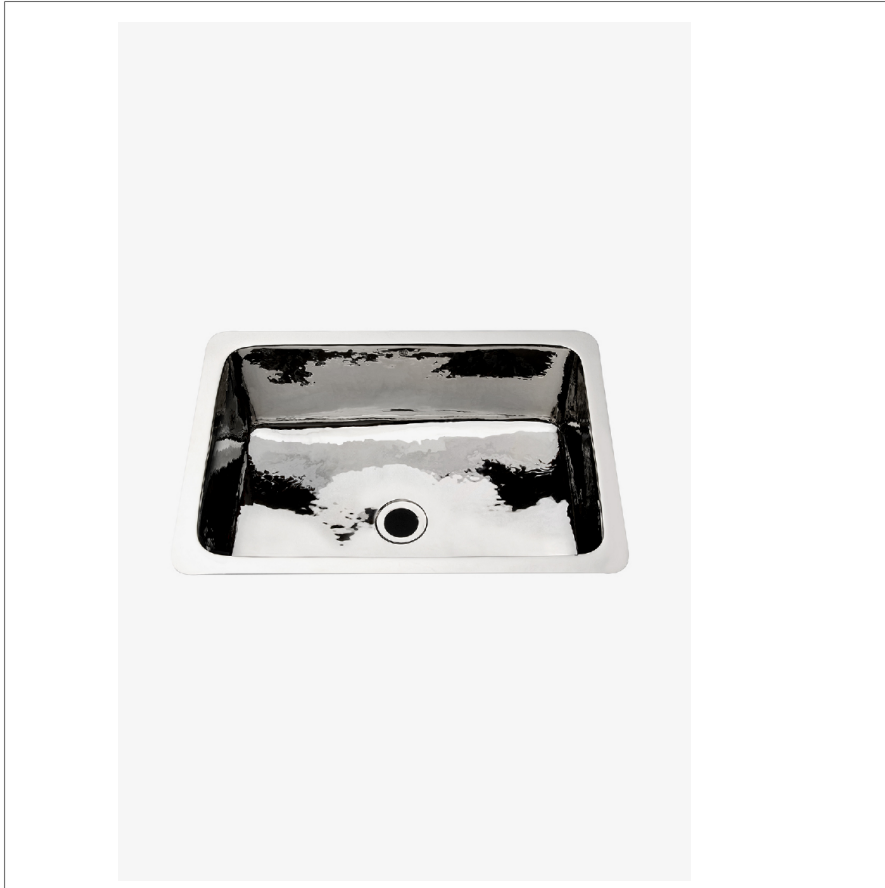


Normandy

NOSK22

Normandy Drop In or Undermount Rectangular Hammered Copper Bar Sink 21 5/8" x 15 11/16" x 7 5/16"



SHOWN IN NORMANDY DROP IN OR UNDERMOUNT RECTANGULAR HAMMERED COPPER BAR SINK 21 5/8" X 15 11/16" X 7 5/16"
| NOSK22

TECHNICAL DETAILS

ADA Compliance: When installed per ADA guidelines
Bowl Shape: Rectangular
Depth/Width: 398 mm
Drain Style: Center Drain
Height: 186 mm
Installation Type: Drop In or Undermount
Length: 549 mm
Outer Rim Shape: Rectangular
Primary Material: Hammered Copper
Suggested Application: Bar, Kitchen

INSPIRATION

Modeled after antique French copper cookware, each Normandy sink is hammered and polished by hand according to old French tradition. The process involves over 40 steps and countless hours of craftsmanship, creating strikingly authentic, one-of-a-kind designs.

CODES & STANDARDS

PRODUCT FEATURES

Handcrafted in France from sheets of copper and formed in individual molds.

The Normandy sinks are finished with a burnishing hammer and polished by hand.

Suitable for bar or kitchen.

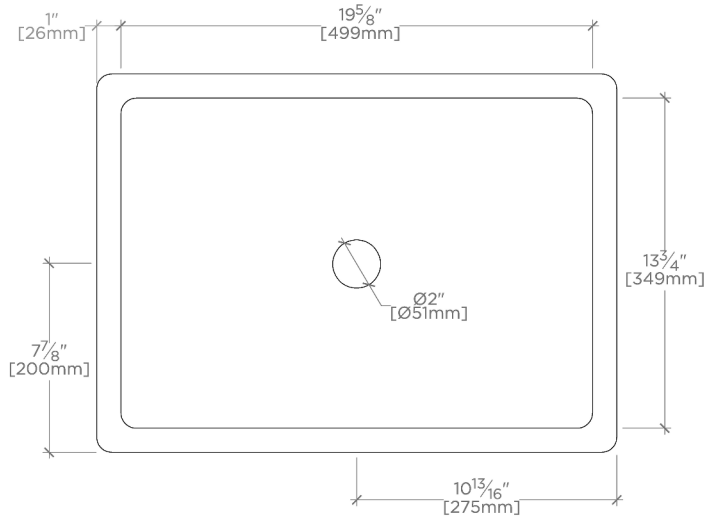
CERTIFICATIONS

Dimensions of sinks are nominal and are subject to slight
PRODUCT (NOTES)

Normandy

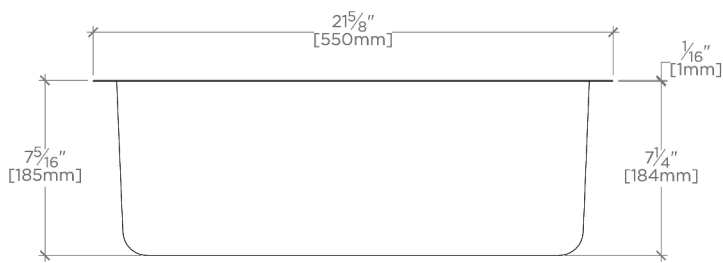
NOSK22

Normandy Drop In or Undermount Rectangular Hammered
Copper Bar Sink 21 5/8" x 15 11/16" x 7 5/16"



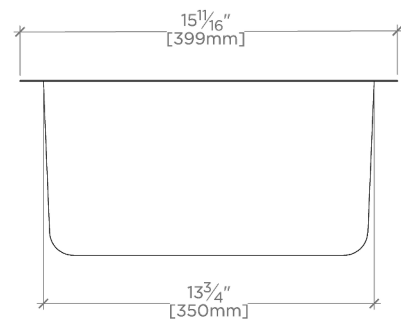
TOP VIEW

SCALE: 1/2"=1'-0"



FRONT VIEW

SCALE: 1/2"=1'-0"



SIDE VIEW

SCALE: 1/2"=1'-0"