

Bond

BNWL18

Bond 18" Wall Mounted 90 Degree Shower Arm with Flange



SHOWN IN BOND 18" WALL MOUNTED 90 DEGREE SHOWER ARM WITH FLANGE | BNWL18

TECHNICAL DETAILS

Fittings Hole Diameter: 32 mm
Inlet Connection Size: 1/2"
Inlet Connection Type: Male NPT
Outlet Connection Size: 1/2"
Outlet Connection Type: Male NPT
Water Pressure Recommended: 3.0 bar

INSPIRATION

Bond draws inspiration from the Aesthetic Movement, rare vintage lighters, and modern industrial design. The result is a contemporary collection with a soulful quality that inhabits the full range of modern style, from austere minimalism to warm contemporary.

CODES & STANDARDS

PRODUCT FEATURES

Compatible with an assortment of Waterworks showerheads, sold separately

Brass Construction

Includes 18" wall mounted 90 degree shower arm

Stocked in Chrome, Nickel and Brass

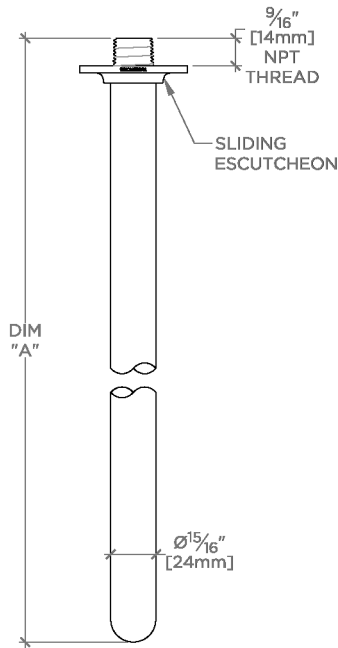
CERTIFICATIONS

PRODUCT (NOTES)

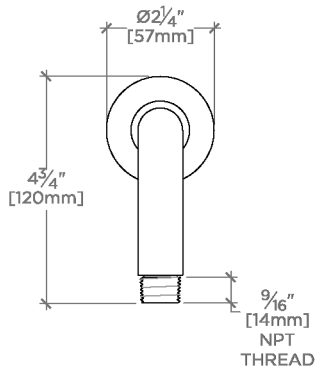
Bond

BNWL18

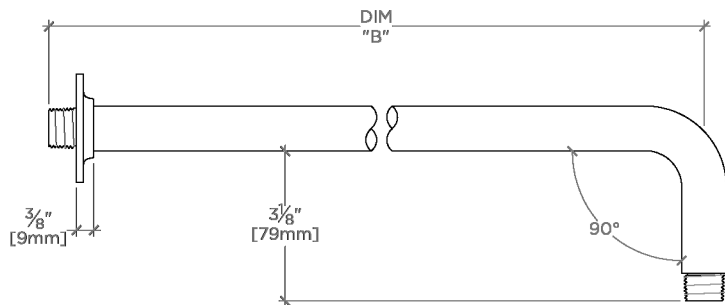
Bond 18" Wall Mounted 90 Degree Shower Arm with Flange



TOP VIEW SCALE: 3"=1'-0"



FRONT VIEW SCALE: 3"=1'-0"



SIDE VIEW SCALE: 3"=1'-0"

STYLE NO.	DIM "A"	DIM "B"
BNWL12	13 3/16" [331mm]	12 1/2" [319mm]
BNWL18	19 1/16" [484mm]	18 1/2" [472mm]
BNWL22	23 3/16" [585mm]	22 1/2" [572mm]