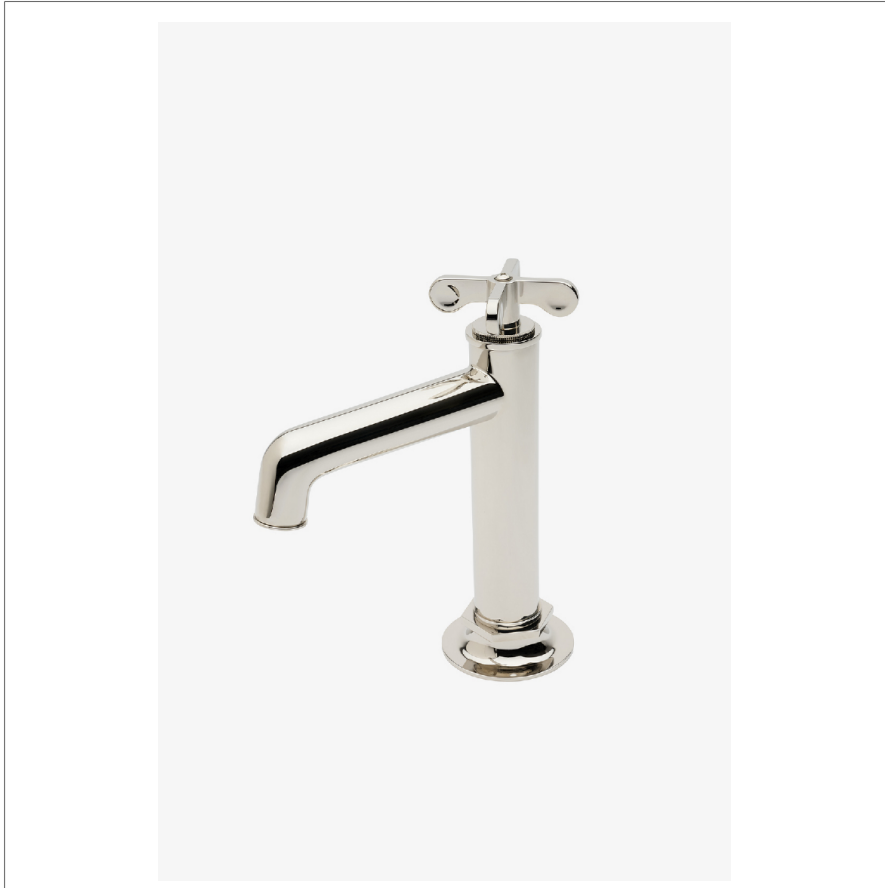


## HENRY

## HLS401

Henry One Hole Lavatory Faucet with Cross Handle



SHOWN IN HENRY ONE HOLE LAVATORY FAUCET WITH CROSS HANDLE | HLS401

### TECHNICAL DETAILS

ADA Compliance: Yes  
Deck Thickness Maximum: 2 5/8"  
Deck Thickness Minimum: 1/4"  
Drain Depth Maximum: 2"  
Drain Depth Minimum: 3/8"  
Drain Hole Diameter: 1 1/2"  
Drain Style: Push Touch  
Fittings Hole Diameter: 1 3/8"  
Handle Turn Angle: Quarter Turn  
Inlet Connection Size: 3/8"  
Inlet Connection Type: Compression Connection Hoses  
Number Of Holes: One Hole  
Primary Material: Brass  
Restricted Maximum Flow Rate: 1.2 gpm  
Spout Swivel: N  
Valve Material: Brass and Ceramic  
Water Pressure Maximum: 85.0 psi  
Water Pressure Minimum: 20.0 psi  
Water Pressure Recommended: 45.0 psi

### INSPIRATION

Influenced by the connection of industry and art Henry easily transitions between modern, traditional, utilitarian and classic settings.

### CODES & STANDARDS

HLS401X, NSF/ANSI/CAN 61:Q < 1, NSF/ANSI/CAN 372, ASME A112.18.1/CSA B125.1, CEC, DOE, State of MA

### PRODUCT FEATURES

Cross Handle

### CERTIFICATIONS



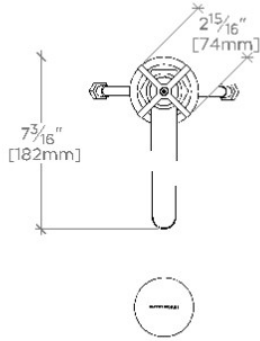
### PRODUCT (NOTES)

# WATERWORKS

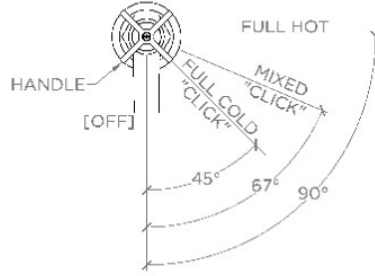
## HENRY

## HLS401

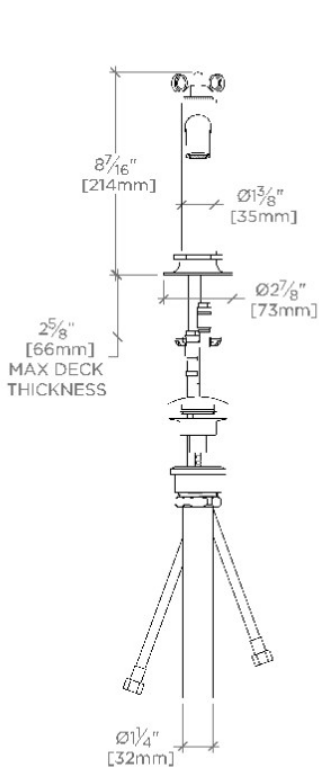
Henry One Hole Lavatory Faucet with Cross Handle



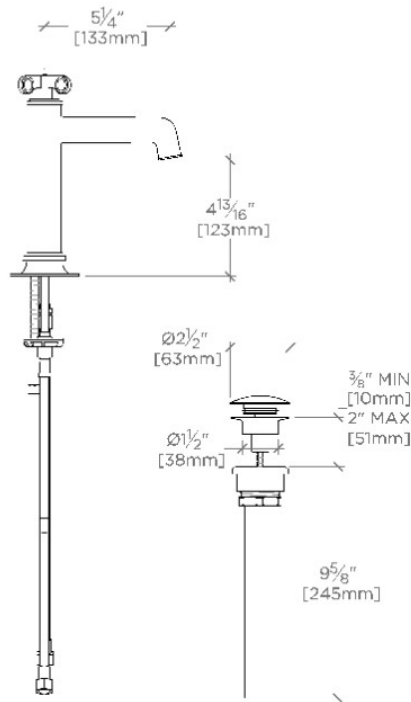
TOP VIEW SCALE: 1 1/2"=1'-0"



HANDLE OPERATION SCALE: 1 1/2"=1'-0"

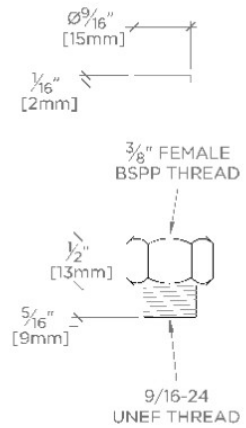


FRONT VIEW SCALE: 1 1/2"=1'-0"



SIDE VIEW SCALE: 1 1/2"=1'-0"

NOTE:  
ADAPTER AND GASKET (x2)  
INCLUDED - INTERNATIONAL  
USE ONLY



NOT TO SCALE