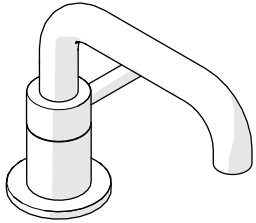


INSTALLATION GUIDELINES

ONE HOLE LAVATORY FAUCETS

FLYTE ONE HOLE LAVATORY FAUCET WITH LEVER HANDLE



STYLES
FLLS50

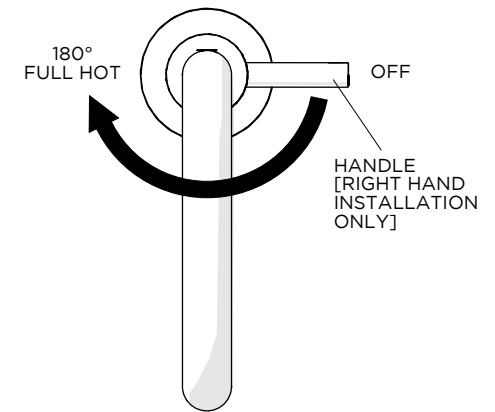
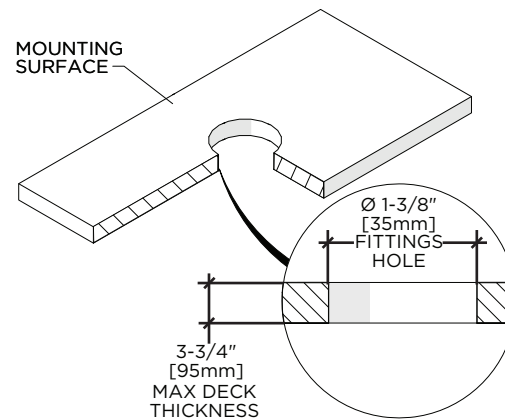
IMPORTANT:

- To ensure this product is installed properly, you must read and follow these guidelines.
- The owner/user of this product must keep this information for future reference.
- This product must be installed by a professional licensed contractor.
- Be sure your installation conforms to all federal, state, and local codes. In the State of Massachusetts, all installations must comply with the rules and regulations set forth within 248 CMR.
- Inspect this product to ensure you have all the parts required for proper installation.
- This product is sold partially assembled but shown fully disassembled for illustrative and service purposes only.
- **CAUTION:**
 - Flushing the SUPPLY VALVES (sold separately) prior to installing the LAVATORY FAUCET is recommended. Flushing can prevent damage to the CARTRIDGE and other internal components.
- Use only a strap wrench or protected/smooth-jaw wrench on any finished surface.
- The use of certain plumber's putty may stain stone or tile surfaces.
- If further assistance is required, please contact Product Support at 1-800-927-2120 Monday through Friday, 8am - 6pm EST.
- Refer to the separate Service Parts Documents for available replacement parts.

TECHNICAL DETAILS:

DETAIL	SPECIFICATION
DRAIN DEPTH	3/8" [10mm] MINIMUM - 2" [51mm] MAXIMUM
DRAIN HOLE DIAMETER	Ø1-1/2" [38mm]
DRAIN STYLE	PUSH-TOUCH
INLET CONNECTION	3/8" COMPRESSION CONNECTOR HOSES †
SPOUT REACH	6" [152mm]
WATER PRESSURE	20psi [1.5 bar] MINIMUM - 85psi [6.0 bar] MAXIMUM
WATER PRESSURE RECOMMENDED	45psi [3.0 bar]

† For **INTERNATIONAL USE ONLY**, two 9/16"-24 UNEF MALE x 3/8" FEMALE BSPP ADAPTERS STYLE No. UNUK08 and RUBBER WASHERS are provided.

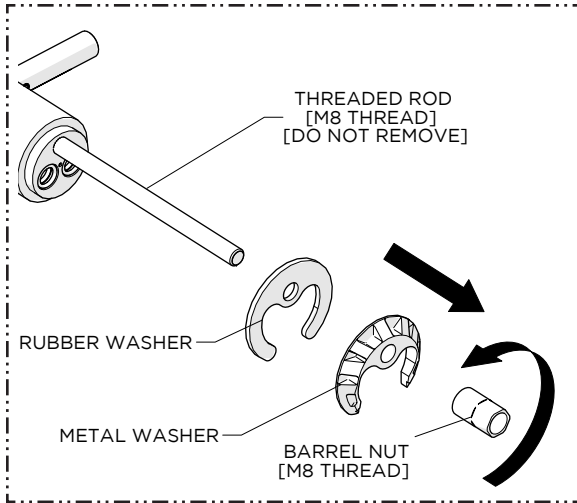


HANDLE OPERATION:

- This product is equipped with a PROGRESSIVE MIXING CARTRIDGE.
- The HANDLE rotates a 1/2 turn counterclockwise through cold, warm, and hot water temperatures as shown above.

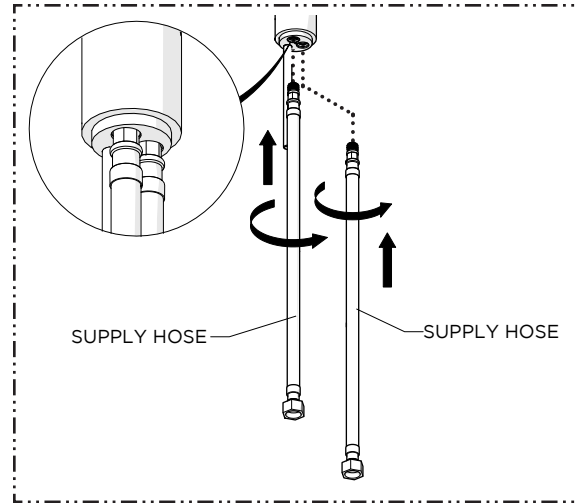
INSTALLATION GUIDELINES

ONE HOLE LAVATORY FAUCETS



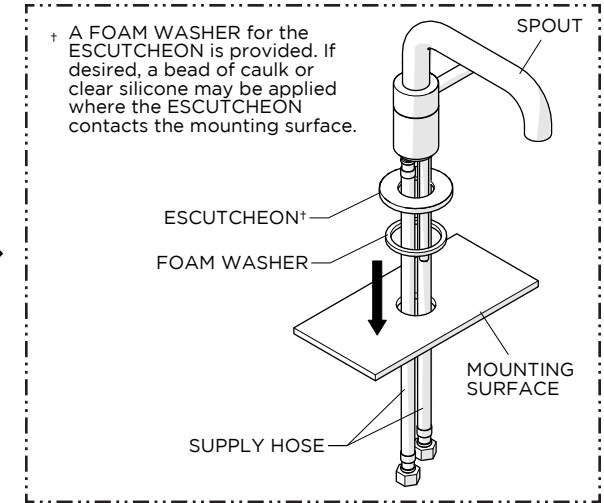
1. Remove the BARREL NUT, METAL WASHER, and RUBBER WASHER from the THREADED ROD.

NOTE: Do **NOT** remove the THREADED ROD.

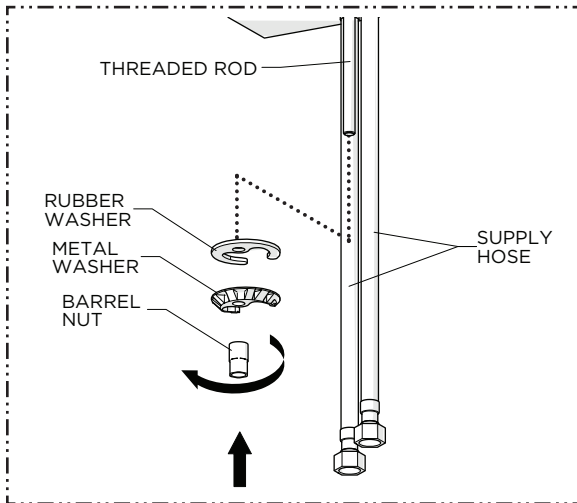


2. Thread and securely tighten the SUPPLY HOSES into the SPOUT.

NOTE: The HOSES are M10 x 3/8" COMPRESSION CONNECTOR HOSES.

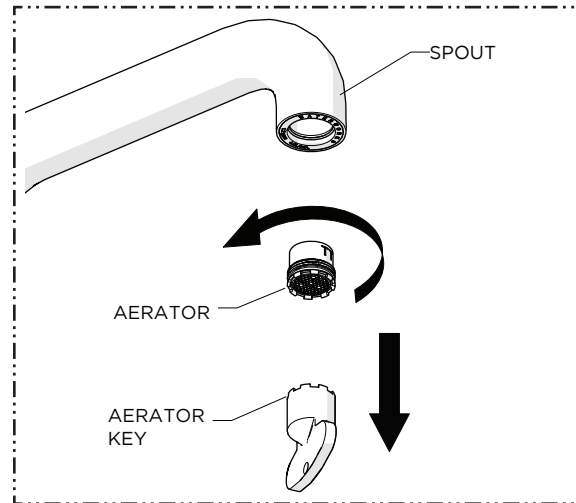


3. Slide the ESCUTCHEON and WASHER over the HOSES and THREADED ROD then insert the SUPPLY HOSES through the hole on the mounting surface.

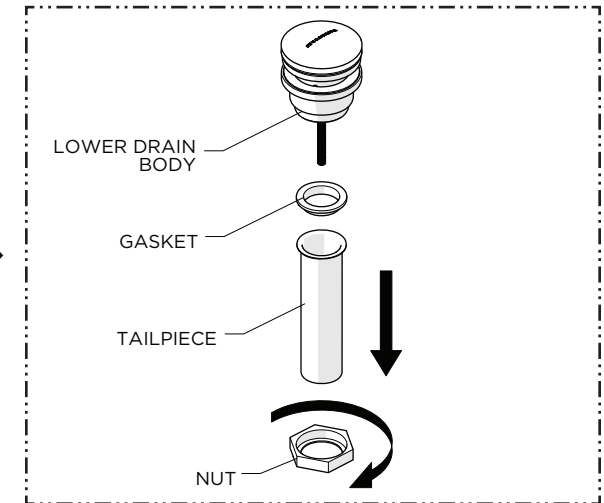


4. Slide the RUBBER and METAL WASHERS back onto the THREADED ROD then thread and securely tighten the BARREL NUT onto the ROD.

NOTE: Ensure the WASHERS fit properly around the HOSES.



5. Remove the AERATOR from the SPOUT using the AERATOR KEY provided.

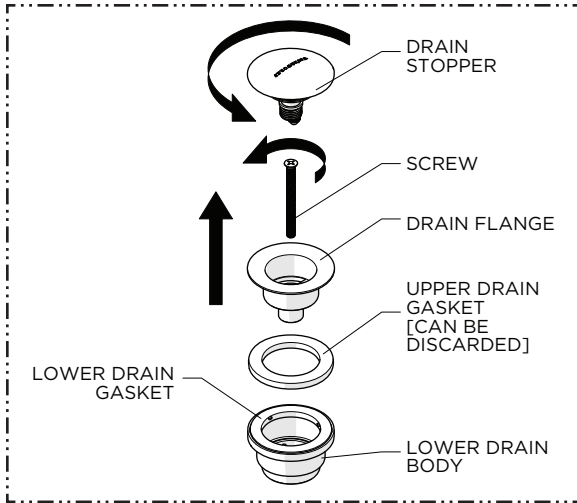


6. Unthread and remove the NUT, TAILPIECE, and GASKET from the LOWER DRAIN BODY.

INSTALLATION GUIDELINES

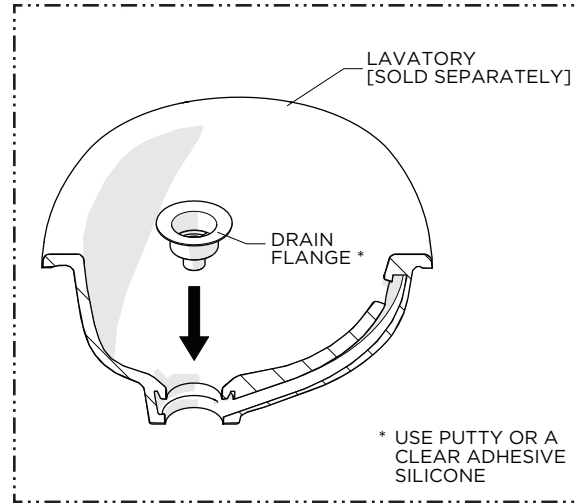
ONE HOLE LAVATORY FAUCETS

WATERWORKS

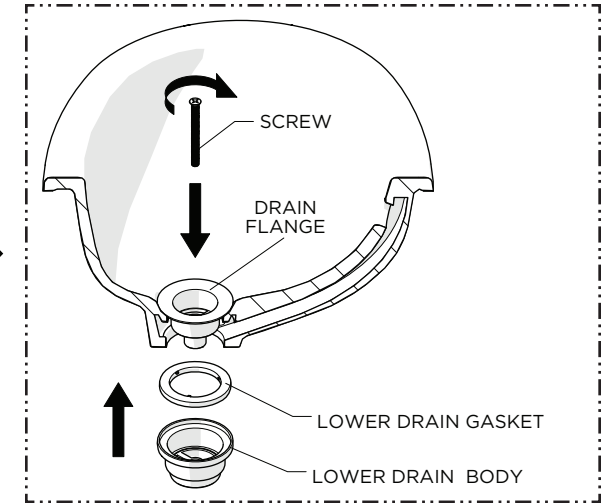


7. Remove the DRAIN STOPPER from the DRAIN FLANGE then unthread the SCREW from the LOWER DRAIN BODY.

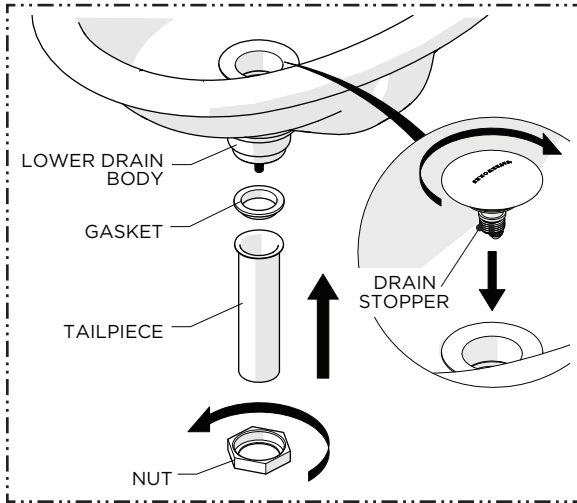
NOTE: Do **NOT** remove or discard the LOWER DRAIN GASKET.



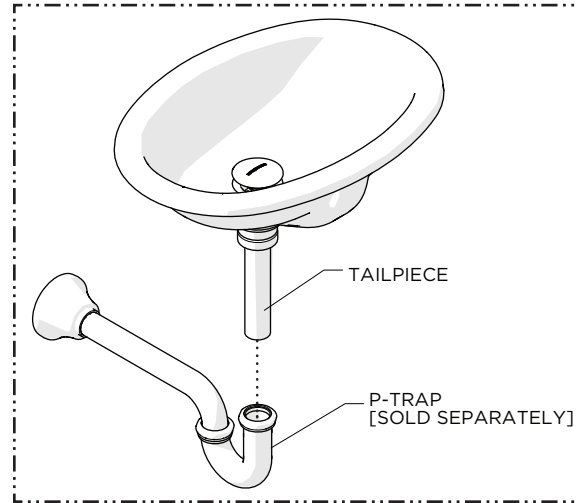
8. Set the DRAIN FLANGE into the LAVATORY (sold separately) using putty or a clear silicone.



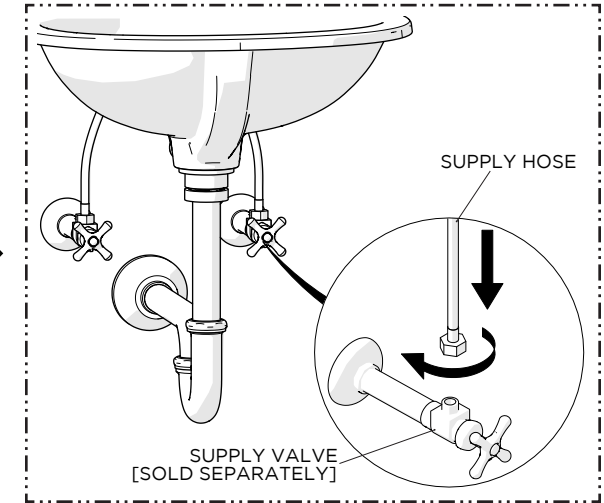
9. Insert the SCREW provided into the FLANGE then thread and securely tighten the SCREW into the LOWER DRAIN BODY making sure the LOWER DRAIN GASKET makes a full seal on the underside of the LAVATORY.



10. Re-install the DRAIN STOPPER and TAILPIECE using the GASKET and NUT provided.



11. Make final P-TRAP (sold separately) connections.

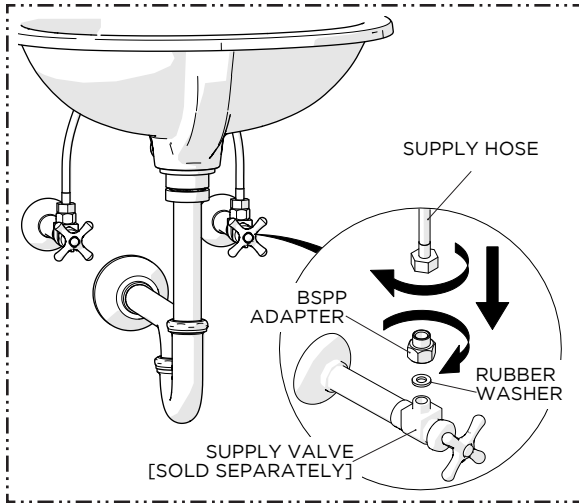


12. Connect the SUPPLY HOSES to the SUPPLY VALVES (sold separately).

NOTE: The HOSES are connected to SUPPLY TUBES that are marked BLUE for cold and RED for HOT.

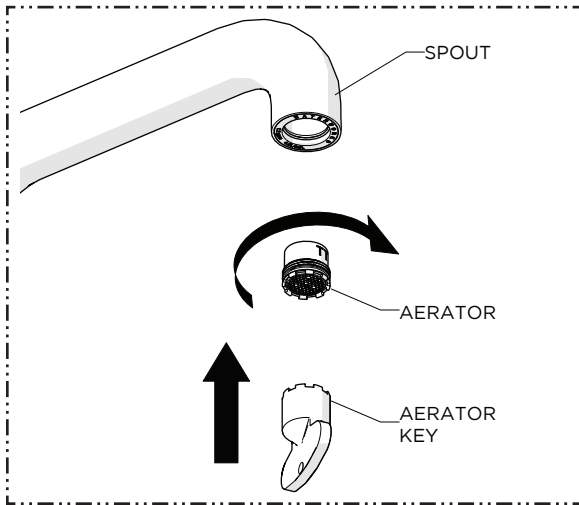
INSTALLATION GUIDELINES

ONE HOLE LAVATORY FAUCETS



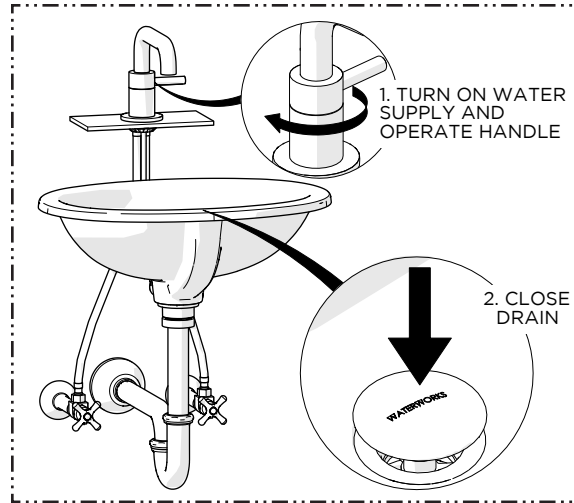
FOR INTERNATIONAL INSTALLATIONS ONLY:

13. Using the RUBBER WASHERS provided, thread and securely tighten the BSPP ADAPTERS onto the SUPPLY VALVES then thread and securely tighten the SUPPLY HOSES onto the ADAPTERS.



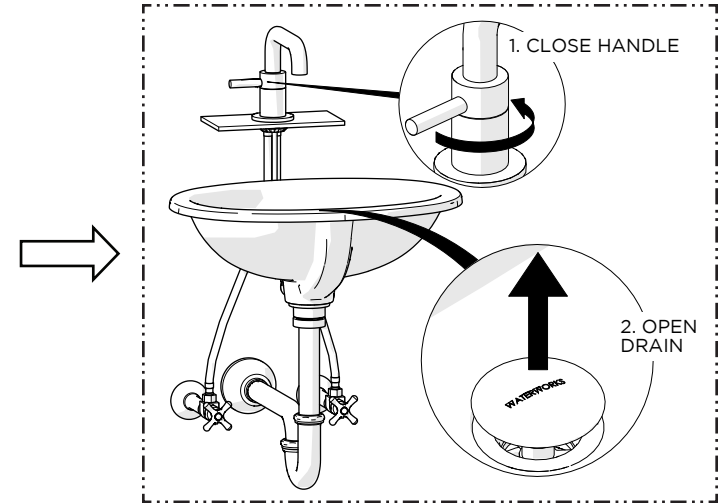
16. Re-install the AERATOR using the tool provided.

NOTE: To order a replacement, use AERATOR style no. 104284.



14. Turn on the water supply and operate the HANDLE to flush out the supply lines. Inspect all connections for leaks then close the DRAIN to ensure it functions properly.

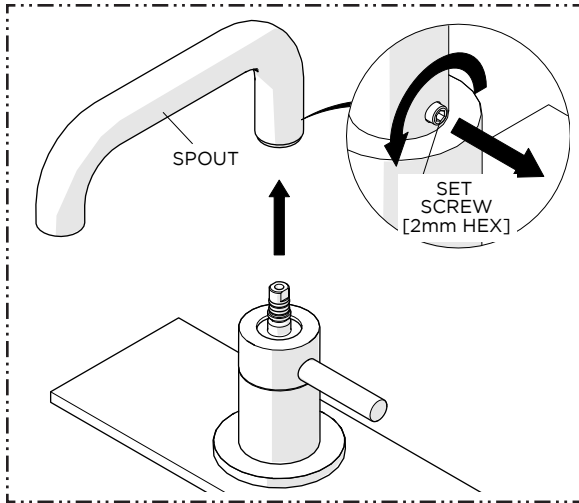
NOTE: The HANDLE will rotate clockwise a 1/2 turn through cold, warm, and hot water temperatures.



15. Close the HANDLE then open the DRAIN to drain the water.

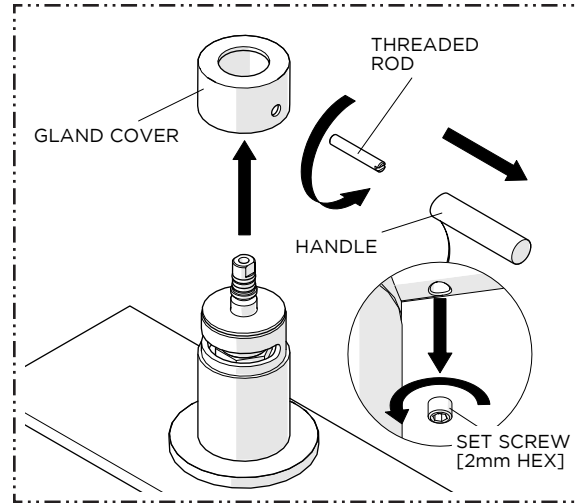
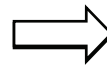
SERVICE GUIDELINES

ONE HOLE LAVATORY FAUCETS

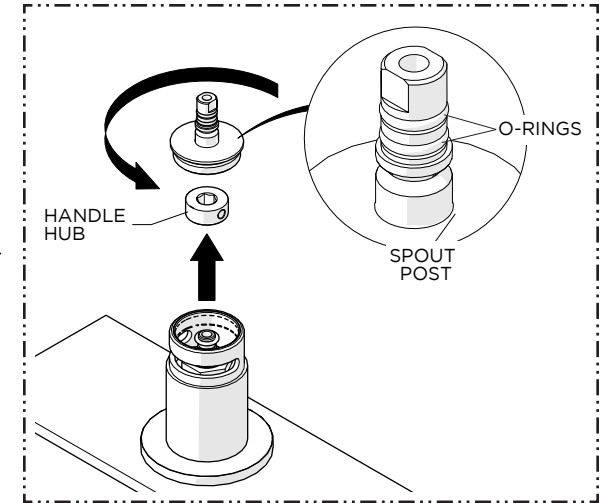
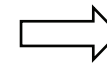


SERVICING SPOUT AND CARTRIDGE:

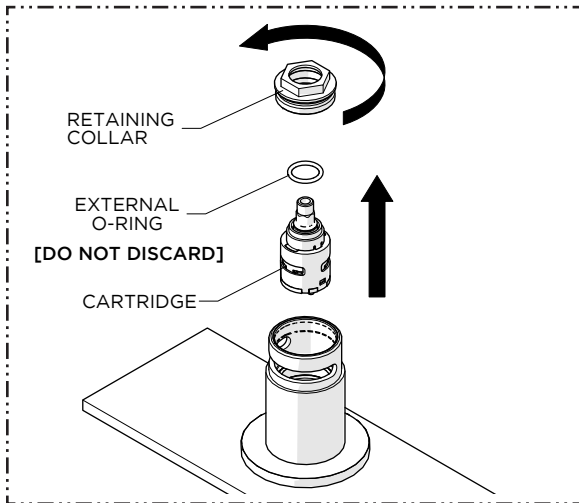
1. Loosen the SET SCREW and remove the SPOUT.



2. Loosen the SET SCREW and remove the HANDLE. Unthread and remove the THREADED ROD then remove the GLAND COVER.



3. Unthread and remove the SPOUT POST then remove the HANDLE HUB.



4. Unthread and remove the RETAINING COLLAR then remove the CARTRIDGE.

NOTE: To order a replacement, use CARTRIDGE style no. 057322.