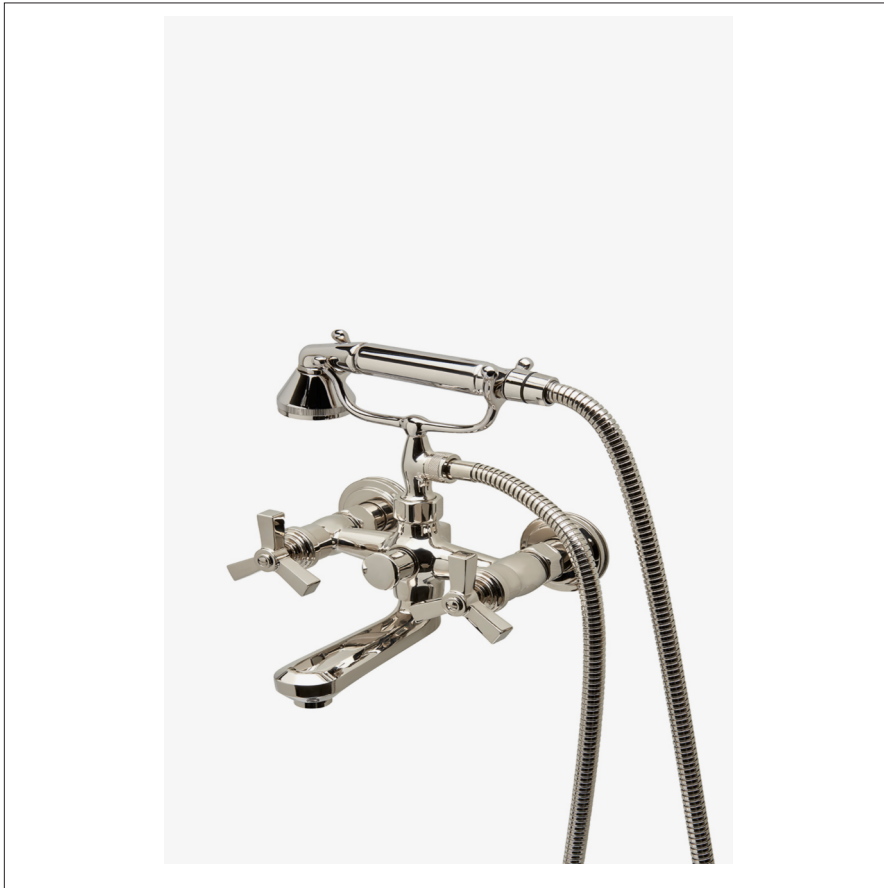


AERO

AE20XT

Aero Wall Mounted Exposed Tub Filler with Metal Handshower and Cross Handles



TECHNICAL DETAILS

Adjustable versus Fixed Spray: Adjustable
Handle Spread Maximum: 152 mm
Handle Spread Minimum: 152 mm
Handle Turn Angle: Quarter Turn
Handshower / Spray Hose Length: 1.5 m
Depth / Width: 240 mm
Height: 240 mm
Inlet Connection Size: 3/4"
Inlet Connection Type: Male BSPP
Length: 214 mm
Spray Included in Unit: Y
Valve Material: Ceramic
Water Pressure Maximum: 5.5 bar
Water Pressure Minimum: 1.5 bar
Water Pressure Recommended: 3.0 bar

INSPIRATION

Inspired by the stepped detail of 19th century telescopes, Aero is a combination of historical reference with a contemporary temperament. The result is original and modern, bringing a look of updated elegance.

PRODUCT FEATURES

Metal cross handles

Diverter button allows bather to move water from spout to handshower. Handshower features 2" head with adjustable spray

Features signature stepped and gadrooned details on escutcheons and edge of spout

Stocked in Chrome and Nickel

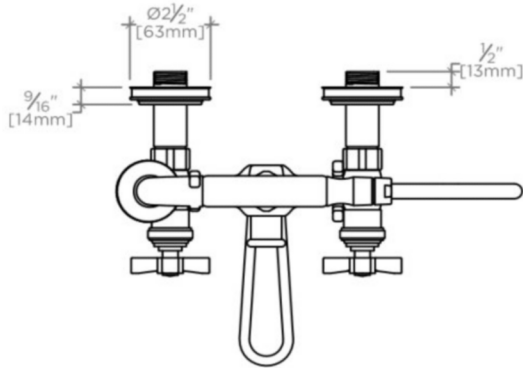
Unrestricted flow for tub spout. Stocked in 2.5gpm (9.5L/min) flow rate for handshower. Alternate flow regulation

WATERWORKS

AERO

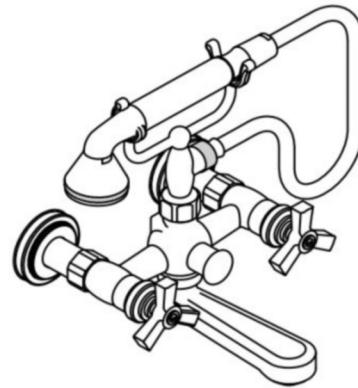
AE20XT

Aero Wall Mounted Exposed Tub Filler with Metal Handshower and Cross Handles



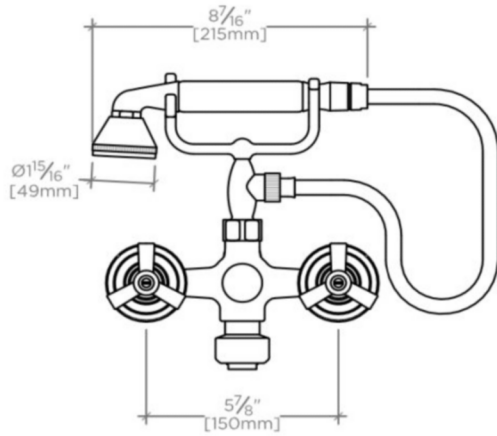
TOP VIEW

SCALE: 2"=1'-0"



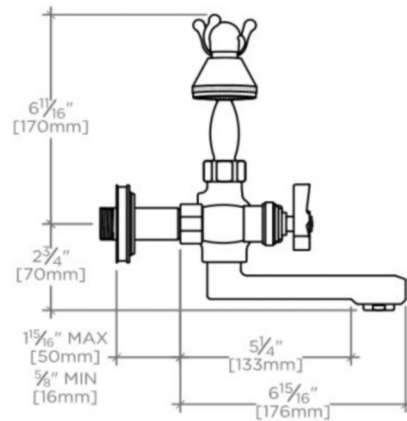
ISO VIEW

SCALE: 2"=1'-0"



FRONT VIEW

SCALE: 2"=1'-0"



SIDE VIEW

SCALE: 2"=1'-0"