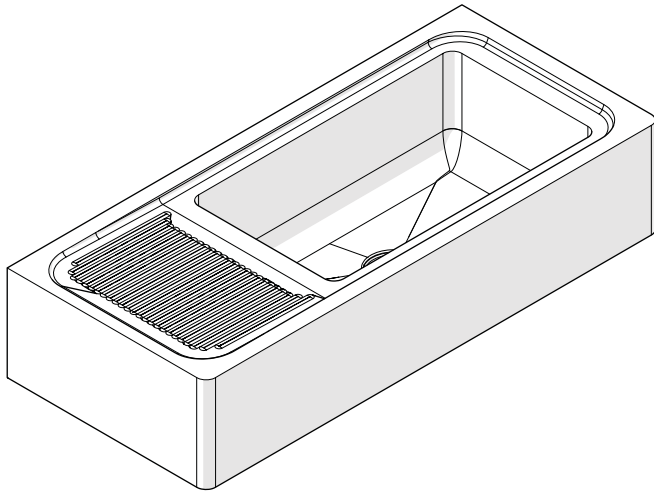


STYLE No. KRSK80
With Center Drain and Drainboard



SPECIFICATIONS:

Drain Hole Diameter: 3-1/2" [89mm]
Garbage Disposal: Yes
Sound Proofing: Yes

REQUIRED PLUMBING DETAILS:

Universal Kitchen Sink Strainer 3 1/2"
STYLE No. UNKS30

IMPORTANT:

- To ensure this product is installed properly, you must read and follow these guidelines.
- The owner/user of this product must keep this information for future reference.
- This product must be installed by a professional licensed contractor. Be sure your installation conforms to all federal, state, and local codes.
- All dimensions are based on original specifications and are subject to change and variation. Dimensions taken for the purposes of cutting templates should always be taken from each product directly. For flush/no reveal or reveal installations, the physical sink is required due to sink tolerances.
- The use of certain plumber's putty may stain stone or tile surfaces.
- Ensure that the cabinet is properly sized for the sink being used. The cabinet must be plumbed, level, and securely installed prior to installing the sink.
- Adequate support framing is required for sink installation. Ensure that the screws used to attach the framing are long enough to secure the framing but short enough to prevent the screws from damaging the adjacent cabinets.

ROUGH-IN:

➤ Refer to Figure - 01 for Steps 1 - 2.

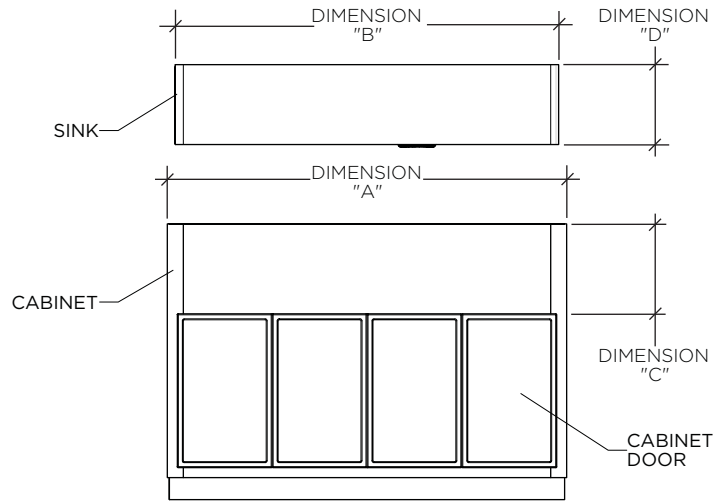


FIGURE - 01

1. Measure the width of the cabinet, **Dimension "A"**, and ensure that the **SINK, Dimension "B"**, will fit within it without cutting the frame.
2. Measure the distance from the top of the cabinet to the top of the cabinet doors, **Dimensions "C"**, and ensure this measurement is larger than the height of the **SINK, Dimension "D"**.
3. Place painter's tape on the front surface of the cabinet and trace the outline of the **SINK** onto the tape. Ensure that the **SINK** will be centered and rest either flush or slightly below the top of the cabinet.
4. Cut the cabinet along the line drawn in Step 3. See Figure - 02. The painter's tape will protect the cabinet during cutting.

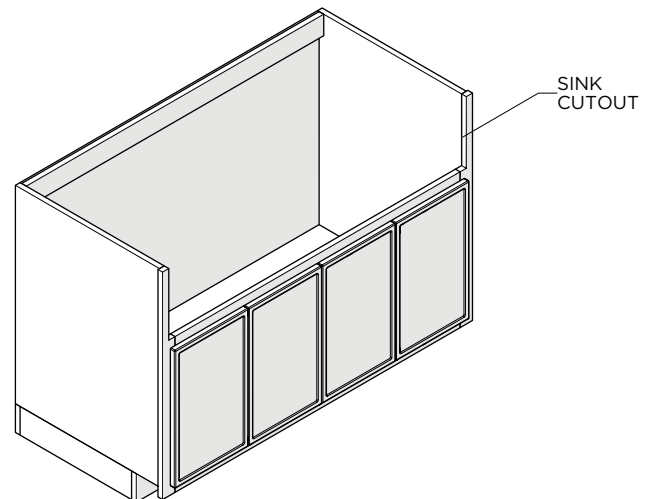


FIGURE - 02

These guidelines have been prepared for the professional contractor to aid in the installation of: **KERR 48" x 21" x 10 1/4" STAINLESS STEEL FARMHOUSE APRON KITCHEN SINK WITH CENTER DRAIN AND DRAINBOARD (STYLE NO. KRSK80).** All dimensions are based on original specification and are subject to change and variation. Please consult your Design Associate for current specifications.

- Refer to Figure - 03 for Steps 5 - 7.

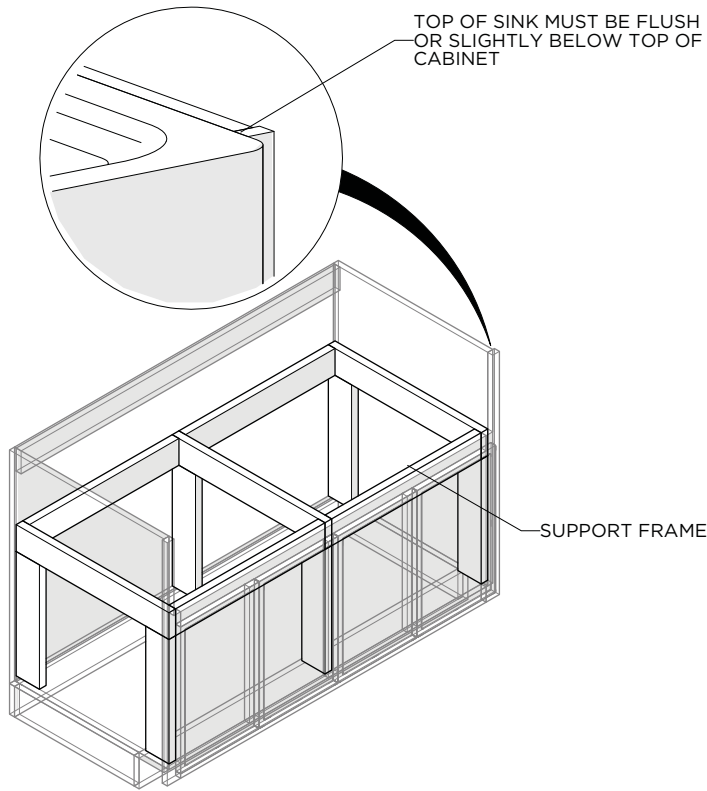


FIGURE - 03

- Using adequate support framing material, install a support frame inside the cabinet that will securely support the weight of the SINK.

NOTE: Take into account the cabinet structure as well as any plumbing when constructing the support frame. Actual support structure is the responsibility of the installer.

- Prior to securing the framing, make sure that the top of the SINK will rest flush or slightly below the top of the cabinet.
- Ensure that the supports are secured using screws (not provided) and level.

WARNING: Ensure the screws used to attach the framing are long enough to secure the framing but short enough to prevent the screws from damaging the adjacent cabinets.

SINK INSTALLATION:

- Dry fit the SINK to the cabinet and support framing. Ensure that the framing will support the weight of the SINK, the SINK is level, and the top of the SINK is flush or slightly below the top of the cabinet.

NOTE: Additional framing may be added to prevent the SINK from shifting.

- Lower the SINK into the cabinet and position the SINK so that the apron or front of the SINK projects out of the cabinet as desired, **Dimension "E"**, and there is enough room between the SINK and the back of the cabinet, **Dimension "F"**, for the faucet fittings. See Figure - 04.

NOTE: Take into account the countertop and backsplash dimensions.

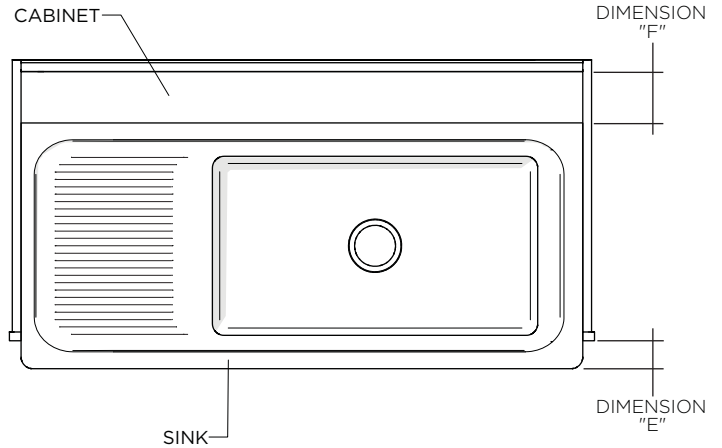


FIGURE - 04

- Make sure that the SINK rests on the support frame and is level. Make any adjustments to the cutout made during Step 4.

- Refer to Figure - 05 for Steps 11 - 15.

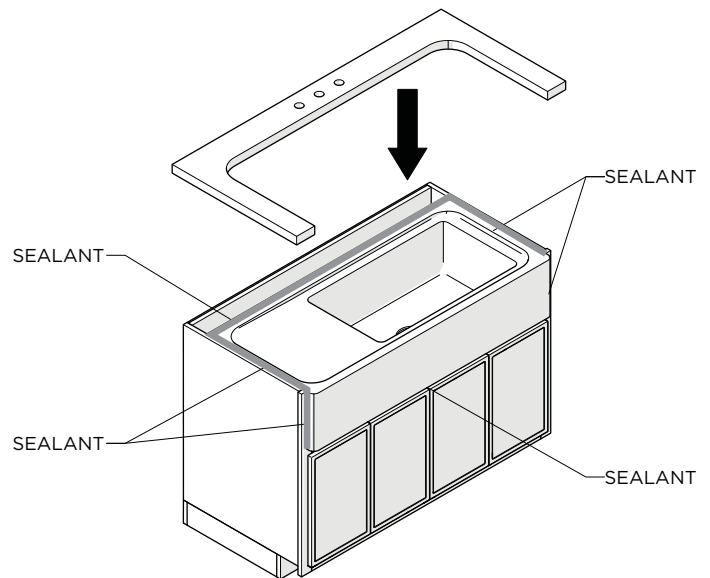


FIGURE - 05

- With the SINK in the final position, create a template to transfer onto the countertop then cut the countertop per the manufacturer's instructions.

NOTE: For flush/no reveal or reveal installations, the individual sink is required due to sink tolerances.

These guidelines have been prepared for the professional contractor to aid in the installation of: KERR 48" x 21" x 10 1/4" STAINLESS STEEL FARMHOUSE APRON KITCHEN SINK WITH CENTER DRAIN AND DRAINBOARD (STYLE NO. KRSK80). All dimensions are based on original specification and are subject to change and variation. Please consult your Design Associate for current specifications.

12. Cut out any faucet holes on the countertop prior to final installation.
13. Apply a bead of silicone sealant to the back and sides of the SINK then place the countertop on top of the cabinets.

IMPORTANT: The countertop **MUST NOT** rest on top of the SINK.
14. Apply a bead of silicone sealant where the SINK contacts the countertop and cabinet surfaces.
15. Remove any excess sealant.

INSPECT AND FINISH THE INSTALLATION:

16. Install the faucet and sink strainer(s) per the manufacturer's instructions and make final supply and waste connections.
- If further assistance is required, please contact Product Support at 1-800-927-2120 Monday through Friday, 8am - 7pm EST.

These guidelines have been prepared for the professional contractor to aid in the installation of:
KERR 48" x 21" x 10 1/4" STAINLESS STEEL FARMHOUSE APRON KITCHEN SINK WITH CENTER DRAIN AND DRAINBOARD (STYLE NO. KRSK80).
All dimensions are based on original specification and are subject to change and variation.
Please consult your Design Associate for current specifications.

W A T E R W O R K S