

AERO

AETS82

Aero Wall Mounted Tub Spout



SHOWN IN AERO WALL MOUNTED TUB SPOUT | AETS82

TECHNICAL DETAILS

Adjustable Versus Fixed Spray: Fixed Spray
Depth/Width: 8"
Escutcheon Primary Material: Brass
Fittings Hole Diameter: 1 3/8"
Height: 2 1/2"
Inlet Connection Size: 3/4"
Inlet Connection Type: Female NPT
Installation Type: Wall Mounted
Length: 2 1/2"
Primary Material: Brass
Spout Swivel: N
Suggested Application: Bath
Water Pressure Maximum: 85.0 psi
Water Pressure Minimum: 20.0 psi
Water Pressure Recommended: 45.0 psi

INSPIRATION

Inspired by the stepped detail of 19th century telescopes, Aero is a combination of historical reference with a contemporary temperament. The result is original and modern, bringing a look of updated elegance.

CODES & STANDARDS

CEC, State of MA

PRODUCT FEATURES

Features signature stepped and gadrooned details on escutcheons and edge of spout

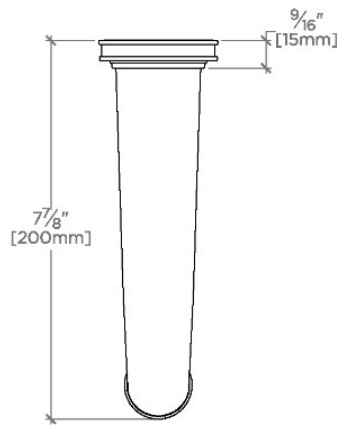
Stocked in Chrome and Nickel

Unrestricted flow for quick filling of a bathtub

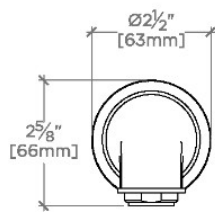
CERTIFICATIONS

PRODUCT (NOTES)

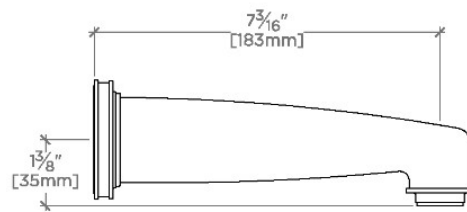
Aero Wall Mounted Tub Spout



TOP VIEW SCALE: 3"=1'-0"



FRONT VIEW SCALE: 3"=1'-0"



SIDE VIEW SCALE: 3"=1'-0"