

ViaWorks Three Way Diverter Valve for Thermostatic Shower Systems



SHOWN IN VIAWORKS THREE WAY DIVERTER VALVE FOR THERMOSTATIC SHOWER SYSTEMS | GU66DV

TECHNICAL DETAILS

ADA Compliance: When installed per ADA guidelines
Depth/Width: 165 mm
Fittings Hole Diameter: 64 mm
Handle Turn Angle: Quarter Turn Each Way
Height: 97 mm
Inlet Connection Size: 3/4"
Inlet Connection Type: Female G/BSPP
Length: 92 mm
Outlet Connection Size: 1/2"
Outlet Connection Type: Female G/BSPP
Primary Material: Brass
Suggested Application: Bath
Valve Material: Ceramic
Water Pressure Maximum: 6.0 bar
Water Pressure Minimum: 1.5 bar
Water Pressure Recommended: 3.0 bar

INSPIRATION

The ViaWorks collection encompasses all Waterworks valves, which are just as impeccably engineered as our legendary fittings and the finest the industry has to offer in terms of performance, features and functionality. ViaWorks valves are engineered with more than three generations of bath and kitchen expertise, each with installers and lifelong service in mind.

CODES & STANDARDS

Code # : Complies with ASME A112.18.1/CSA B125.

PRODUCT FEATURES

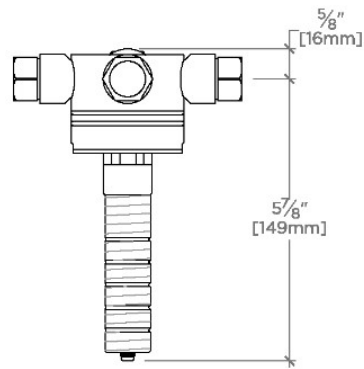
- For use with Thermostatic systems with three-way diverter valve trims
- 3/4" BSPP female inlet and 1/2" BSPP female outlets with quarter turn functionality
- 16 gpm (gallons per minute) unrestricted maximum flow at 60 psi
- Custom tile guard ensures precise tiling, while providing accessibility in servicing the valve.
- Made in Europe of Brass Construction

CERTIFICATIONS

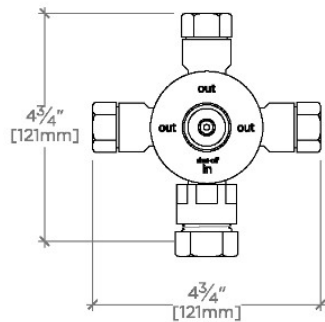
PRODUCT (NOTES)

ViaWorks Three Way Diverter Valve for Thermostatic Shower Systems

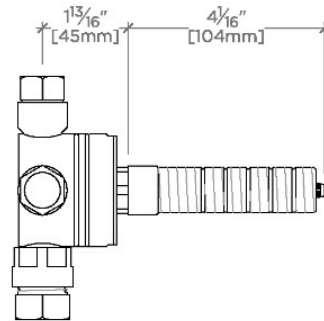
ADAPTER(S) PACKAGED SEPARATELY		
ADAPTER	DESCRIPTION	QTY
UNUK01	3/4" MALE NPT x 3/4" FEMALE BSPP ADAPTER	1
UNUK02	1/2" MALE NPT x 1/2" FEMALE BSPP ADAPTER	3



TOP VIEW SCALE: 3"=1'-0"



FRONT VIEW SCALE: 3"=1'-0"



SIDE VIEW SCALE: 3"=1'-0"