

## BOND

BLS14A

Bond Tandem Series Lavatory Faucet with Guilloche Lines Knob Handles



SHOWN IN BOND TANDEM SERIES LAVATORY FAUCET WITH GUILLOCHE LINES KNOB HANDLES | BLS14A

### TECHNICAL DETAILS

ADA Compliance: Yes  
 Deck Thickness Maximum: 1 11/16"  
 Deck Thickness Minimum: 1/4"  
 Drain Depth Maximum: 2 5/8"  
 Drain Depth Minimum: 3/8"  
 Drain Hole Diameter: 1 3/4"  
 Drain Style: Push Touch  
 Fittings Hole Diameter: 1 3/8"  
 Flow Restriction Options: 1.2  
 Handle Spread Maximum: 12"  
 Handle Spread Minimum: 8"  
 Handle Turn Angle: Quarter Turn  
 Inlet Connection Size: 1/2"  
 Inlet Connection Type: Male with Supply Nut  
 Number Of Holes: Three Hole  
 Primary Material: Brass  
 Restricted Maximum Flow Rate: 1.2 gpm  
 Spout Swivel: N  
 Valve Material: Ceramic  
 Water Pressure Maximum: 85.0 psi  
 Water Pressure Minimum: 20.0 psi  
 Water Pressure Recommended: 45.0 psi

### INSPIRATION

Modern designs infused with rare soul and artistry. Explore our wide range of Bond bath and kitchen elements, from fittings to fixtures to hardware.

### CODES & STANDARDS

BLS14AX, NSF/ANSI/CAN 61:Q < 1, NSF/ANSI/CAN 372, ASME A112.18.1/CSA B125.1, CEC, State of MA

### PRODUCT FEATURES

Knob Handles

Includes European size push touch drain

Features Linear Guilloche Etching Knob Handles

Stocked in Nickel and Brass

Available in 1.2gpm (4.5L/min) flow rate

### CERTIFICATIONS



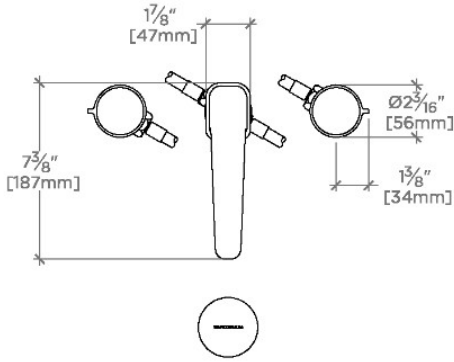
### PRODUCT (NOTES)

# WATERWORKS

## BOND

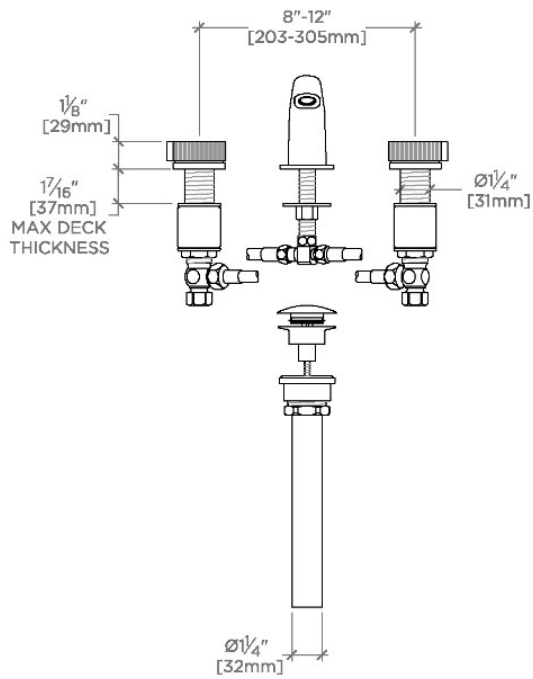
## BLS14A

Bond Tandem Series Lavatory Faucet with Guilloche Lines  
Knob Handles



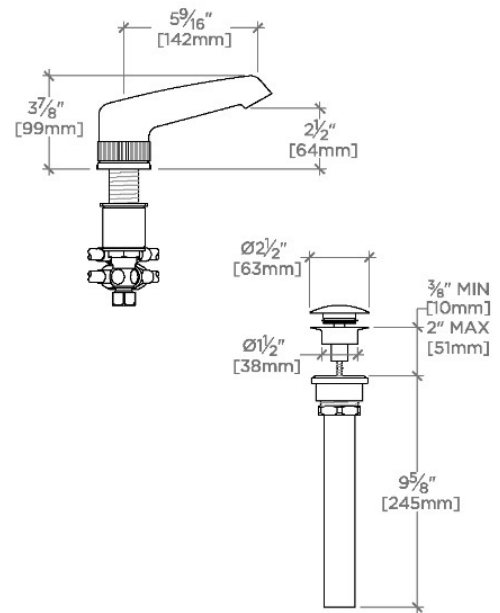
TOP VIEW

SCALE:  $1\frac{1}{2}"=1'-0"$



FRONT VIEW

SCALE:  $1\frac{1}{2}"=1'-0"$



SIDE VIEW

SCALE:  $1\frac{1}{2}"=1'-0"$