

## R.W. ATLAS

RW60LS

R.W. Atlas Low Profile Three Hole Wall Mounted Lavatory Faucet with Metal Wheel Handles



SHOWN IN R.W. ATLAS LOW PROFILE THREE HOLE WALL MOUNTED LAVATORY FAUCET WITH METAL WHEEL HANDLES]

### TECHNICAL DETAILS

ADA Compliance: Yes  
 Adjustable versus Fixed Spray: Fixed Spray  
 Control Valve Rough-in Depth Maximum: 133 mm  
 Control Valve Rough-in Depth Minimum: 83 mm  
 Drain Depth Maximum: 67 mm  
 Drain Hole Diameter: 44 mm  
 Escutcheon Primary Material: Brass  
 Fittings Hole Diameter: 35 mm  
 Flow Restriction Options: 1.75, 1.5  
 Handle Spread Maximum: 203 mm  
 Handle Spread Minimum: 203 mm  
 Handle Turn Angle: Quarter Turn  
 Depth / Width: 210 mm  
 Drain Depth Minimum: 10 mm  
 Height: 68 mm  
 Inlet Connection Size: 1/2"  
 Inlet Connection Type: Male G/BSPP  
 Inlet Supply Spread Maximum: 203 mm  
 Inlet Supply Spread Minimum: 203 mm  
 Installation Type: Wall Mounted  
 Integrated Diverter: N  
 Integrated Spray: N  
 Length: 270 mm  
 Number of Handles: Two  
 Number of Holes: Three Hole  
 Primary Material: Brass  
 Restricted Maximum Flow Rate: 8.3 liters/min  
 Spout Swivel: N  
 Spray Included in Unit: N  
 Suggested Application: Bath  
 Valve Material: Ceramic  
 Water Pressure Maximum: 5.5 bar  
 Water Pressure Minimum: 1.5 bar  
 Water Pressure Recommended: 3.0 bar

### INSPIRATION

Powerful shapes, genuine materials and unique aesthetic details. The original, impeccable vision of R.W. Atlas pairs American ingenuity with European craftsmanship.

### PRODUCT FEATURES

Features knurled detail on the handles.

Includes European push touch style drain.

Meets or exceeds the Weighted Average Lead Requirements of 0.25%.

Standard flow rate is 2.2gpm (8.3 L/min) and State of California requires 1.2gpm(4.5 L/min). Also available in other flow options. Contact a sales associate for details.

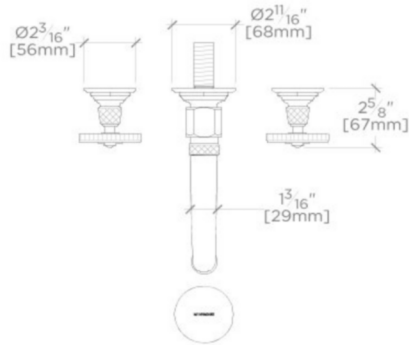
# WATERWORKS

## R.W. ATLAS

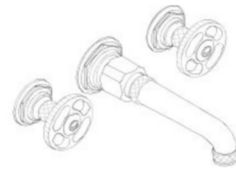
## RW60LS

R.W. Atlas Low Profile Three Hole Wall Mounted Lavatory Faucet with Metal Wheel Handles

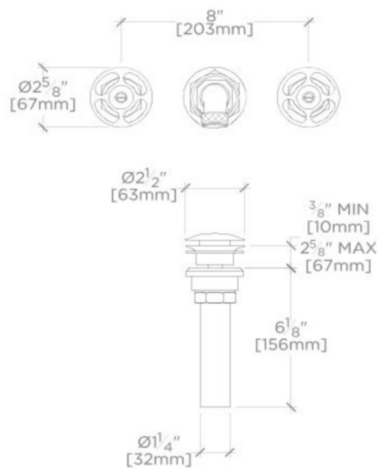
ADAPTER(S) PACKAGED SEPARATELY		
ADAPTER	DESCRIPTION	QTY
UNUK04	1/2" NPT Male x 1/2" Male Nipple 50mm Long BSP	1



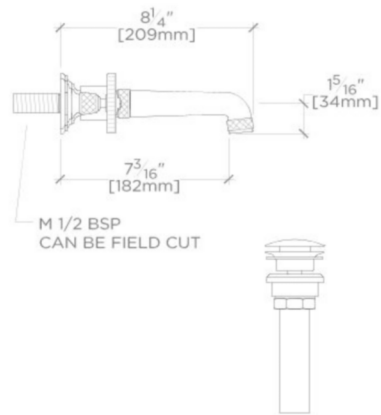
TOP VIEW SCALE: 1 1/2"=1'-0"



ISO VIEW SCALE: 1 1/2"=1'-0"



FRONT VIEW SCALE: 1 1/2"=1'-0"



SIDE VIEW SCALE: 1 1/2"=1'-0"